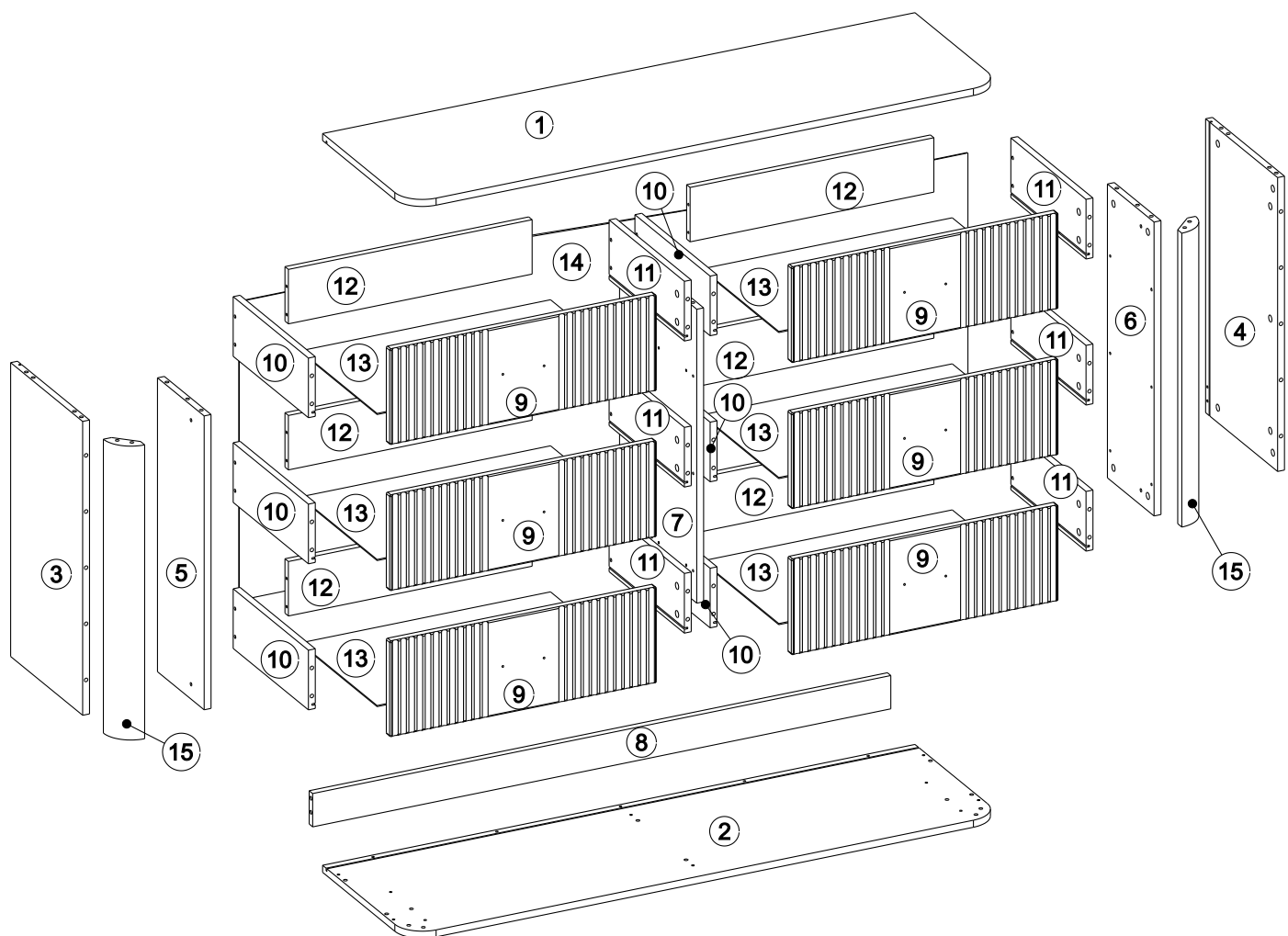
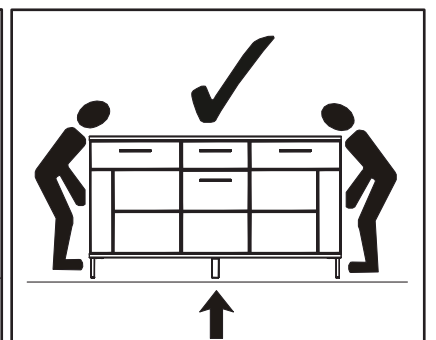
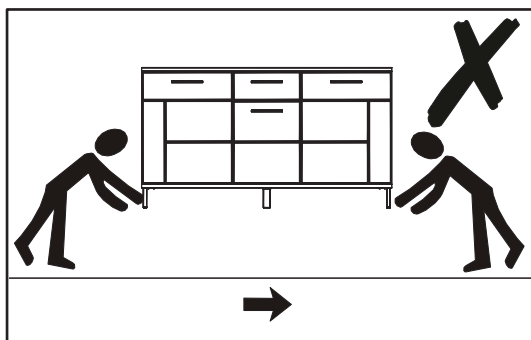
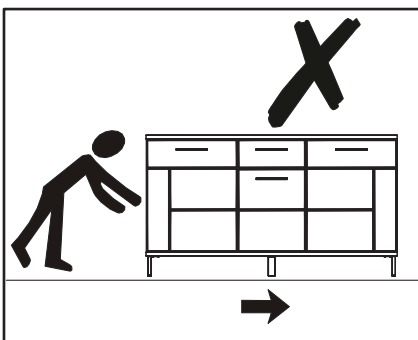
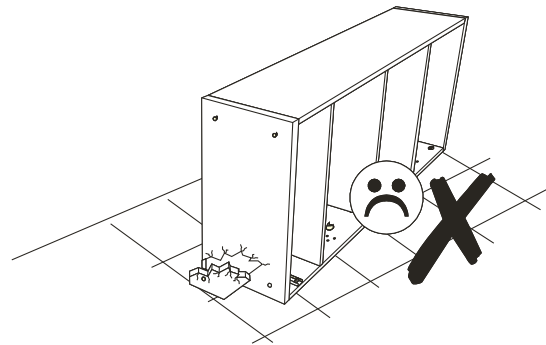
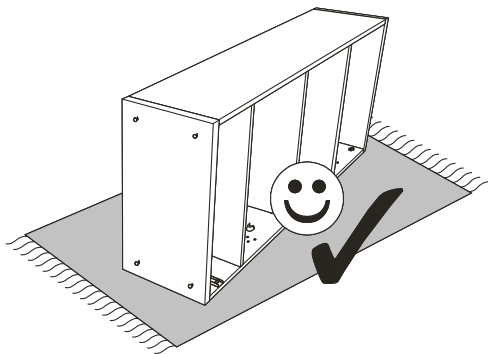
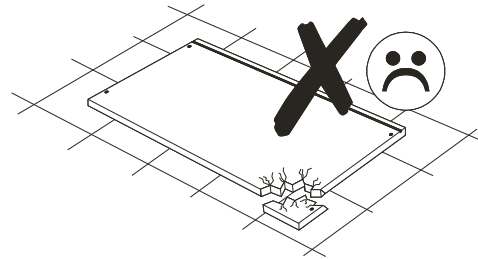
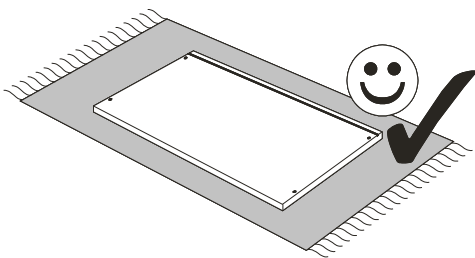
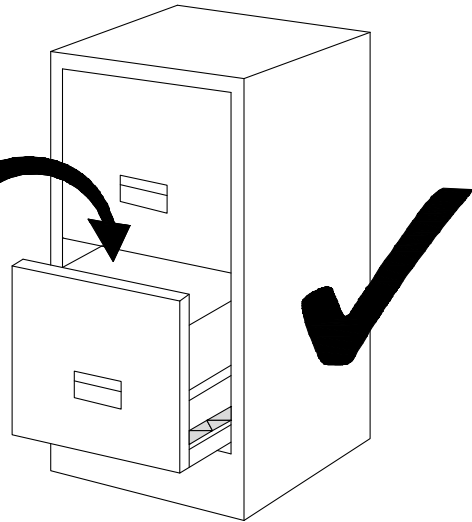
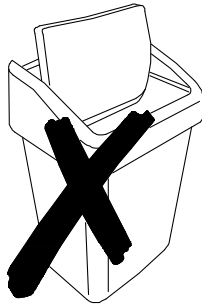
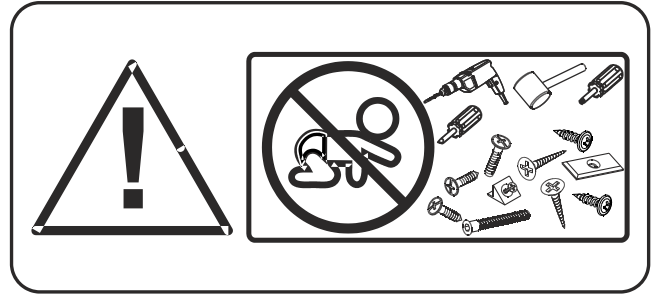
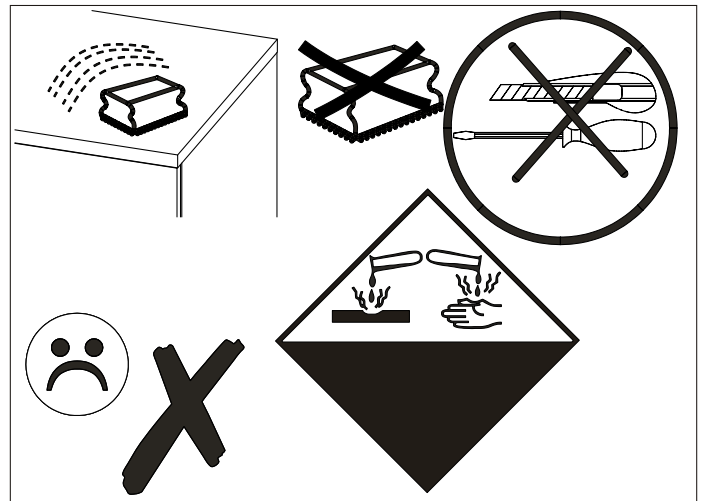
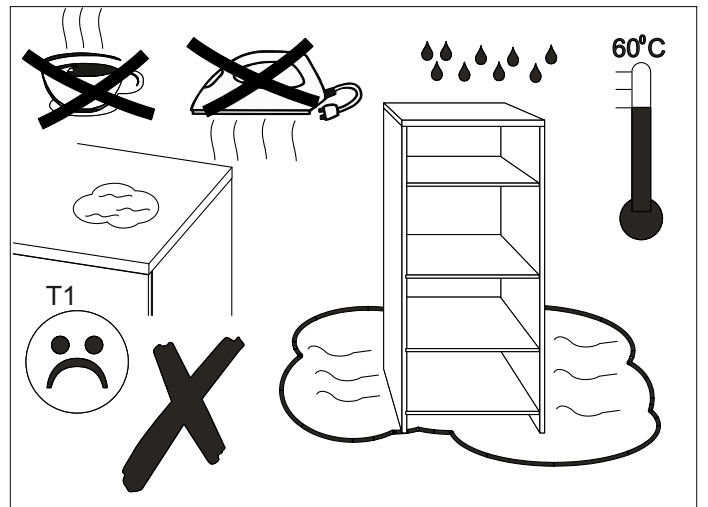
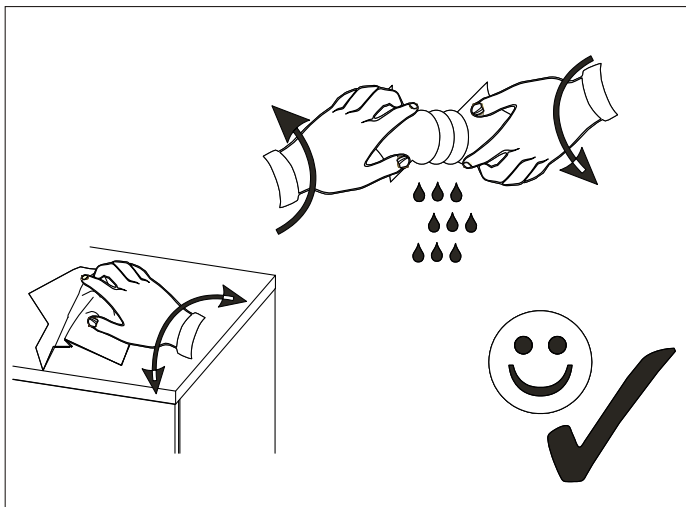
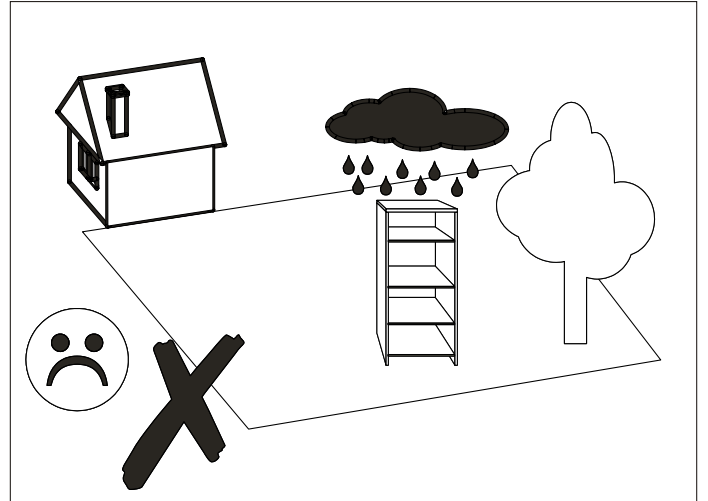
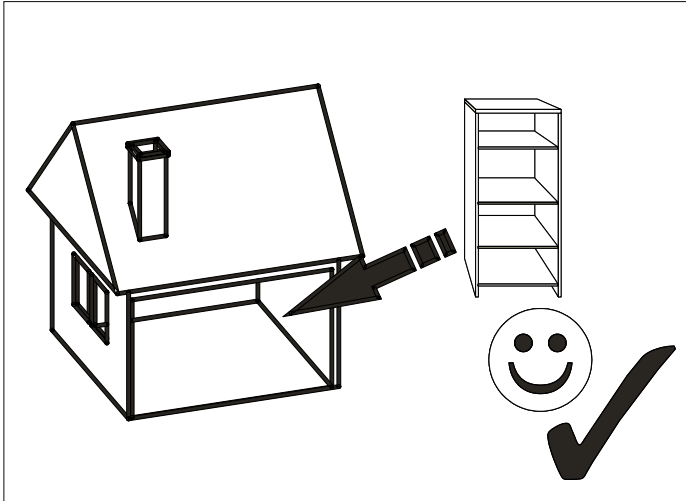


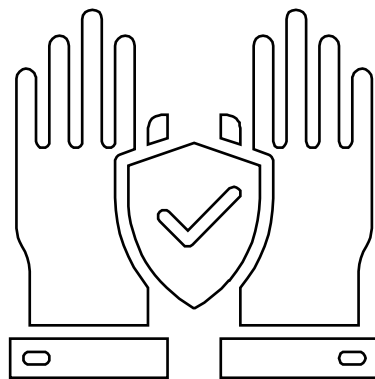
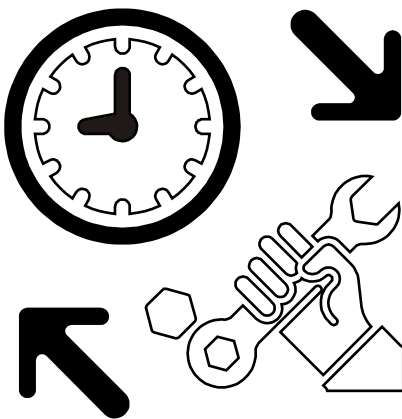
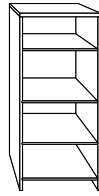
24x #20/863 ZN1	12x 3x16 W6	15x ST1	6x #350L PK3	6x #350P PK3	15x 3x20 W9	4x N1	12x M4x24 S4	
24x 6.4x50 K5	28x 8x30 K1	6x U 1	1x K20	59x #15/15 M1	59x DU232T T1	16x 4.5x16 W7	36x 2x20 G1	24x 6x12 E1



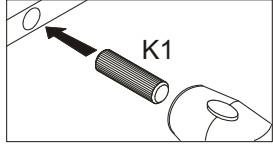
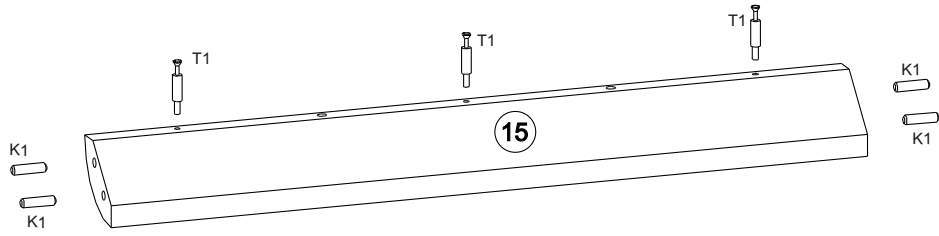
8	1345x76	2/5			
7	670x359	2/5	15	670x90.5	2/5
6	670x217	2/5	14	1356x678	1/5
5	670x217	2/5	13	357x582	1/5
4	670x335.5	2/5	12	567x124	1/5
3	670x335.5	2/5	11	350x136	1/5
2	1378x400	1/5	10	350x136	1/5
1	1378x400	1/5	9	620x218	3/5



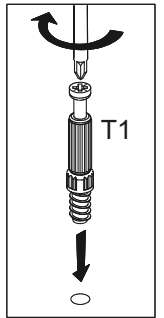
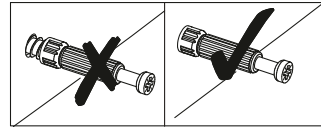




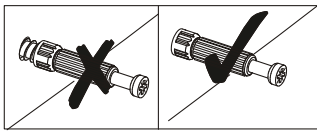
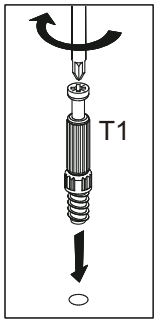
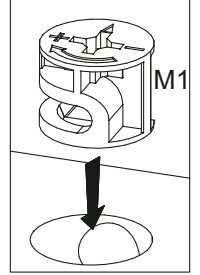
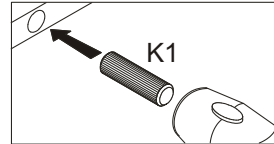
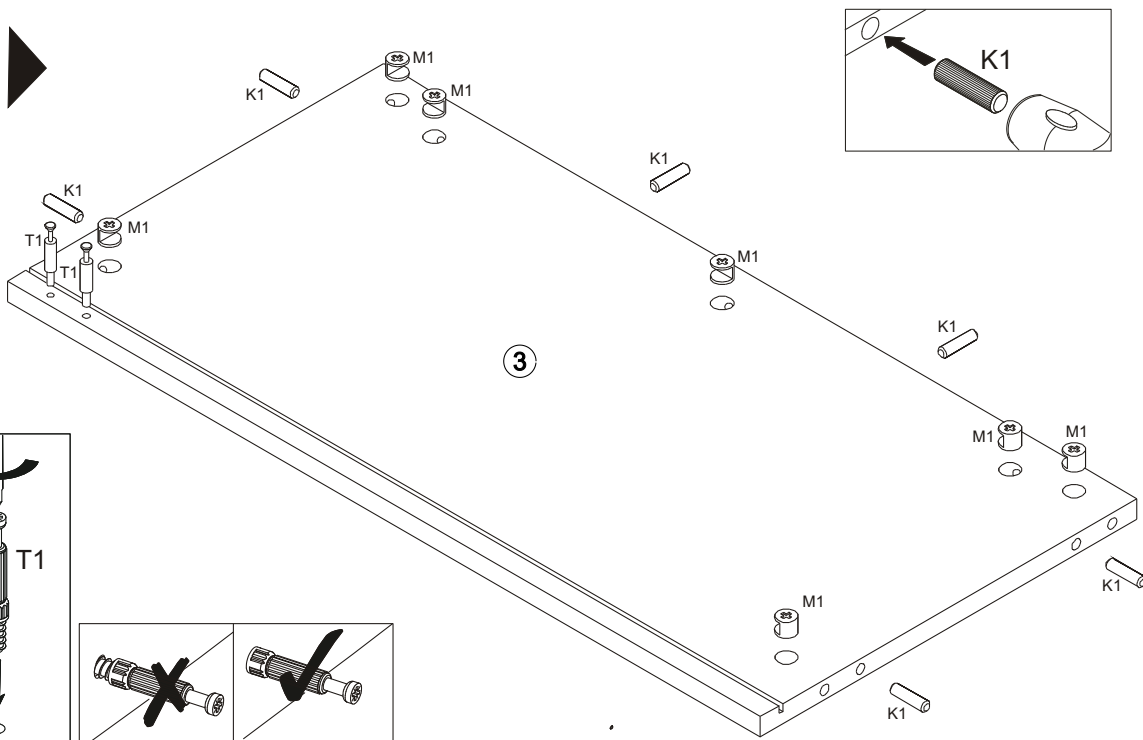
1▶



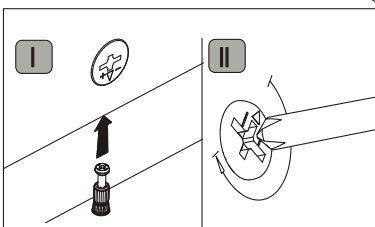
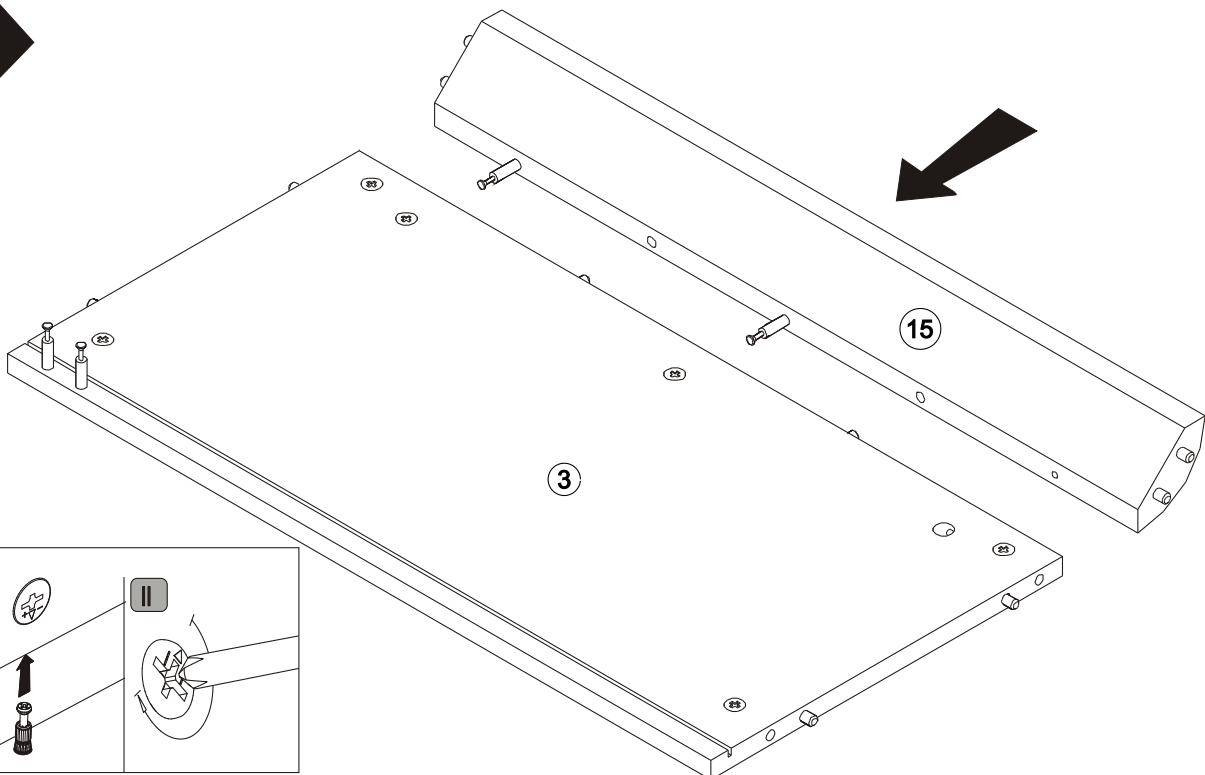
x2



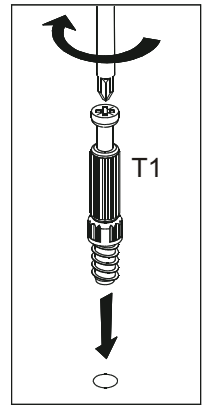
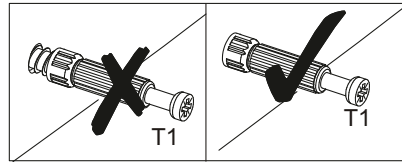
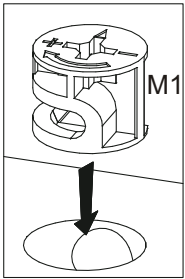
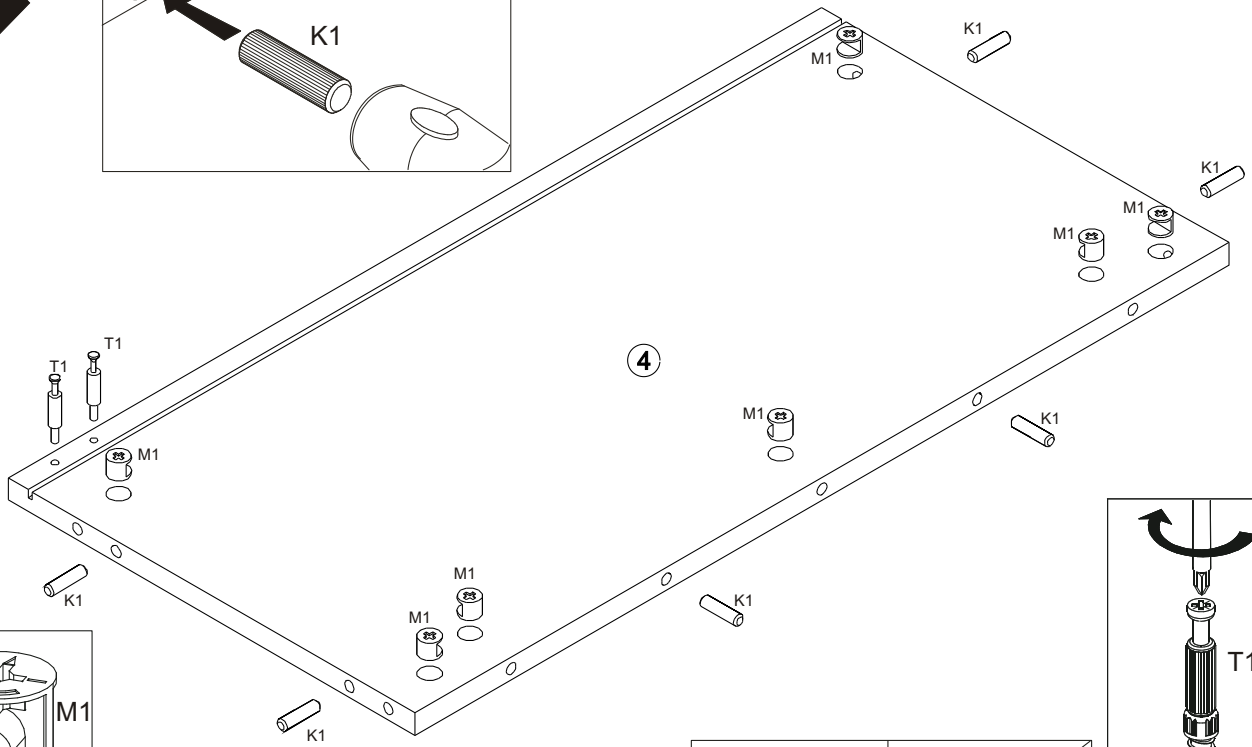
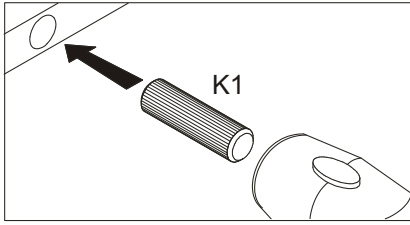
2▶



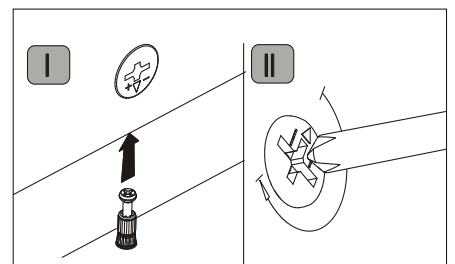
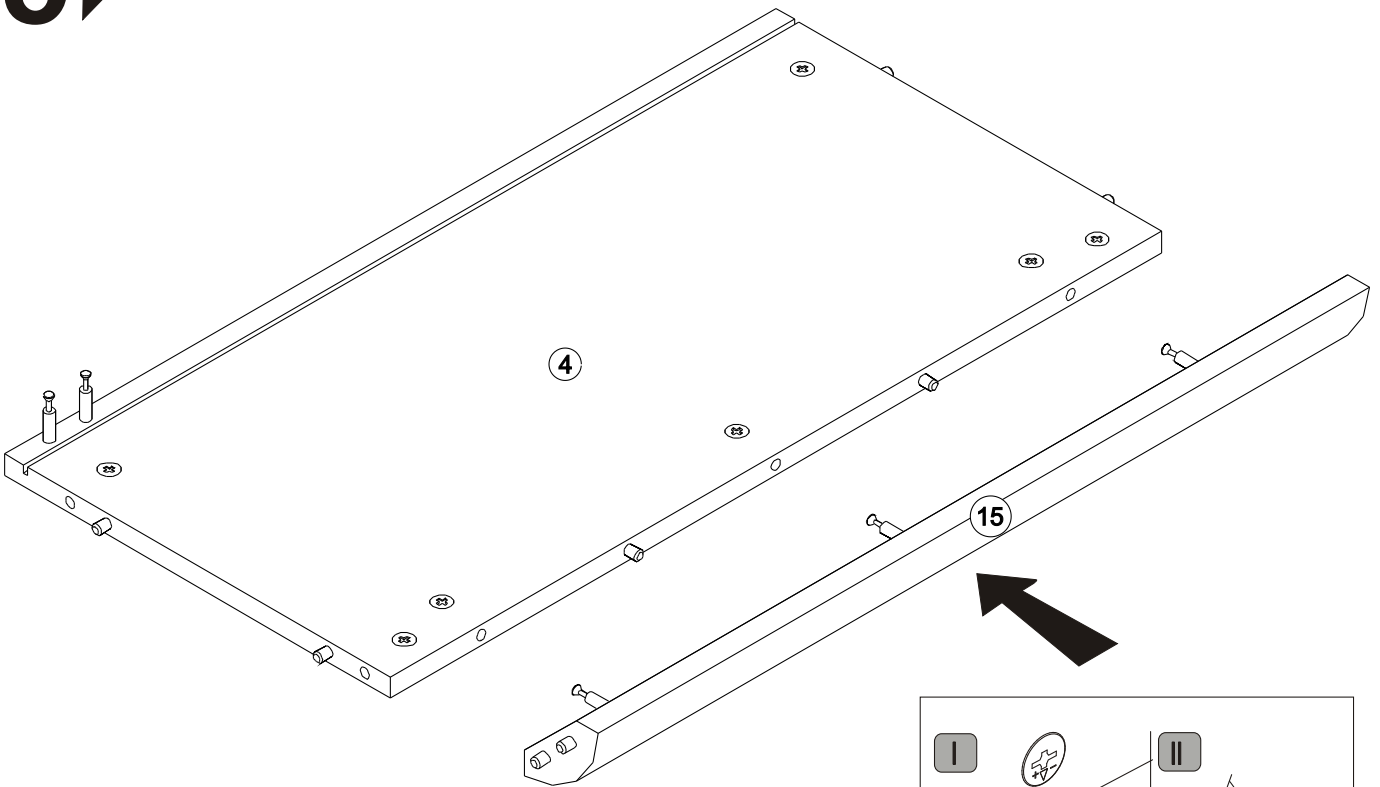
3▶



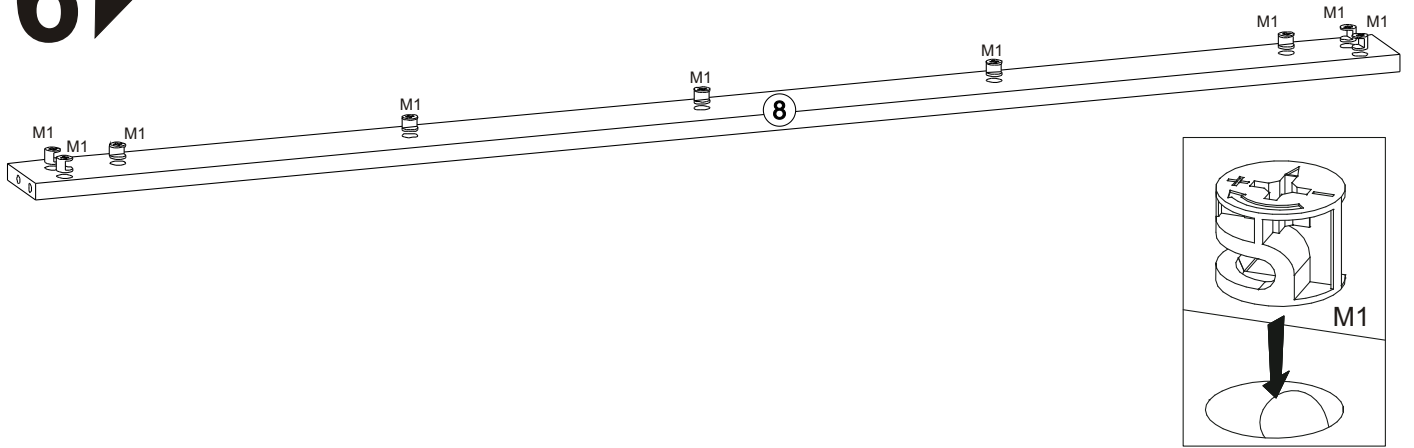
4



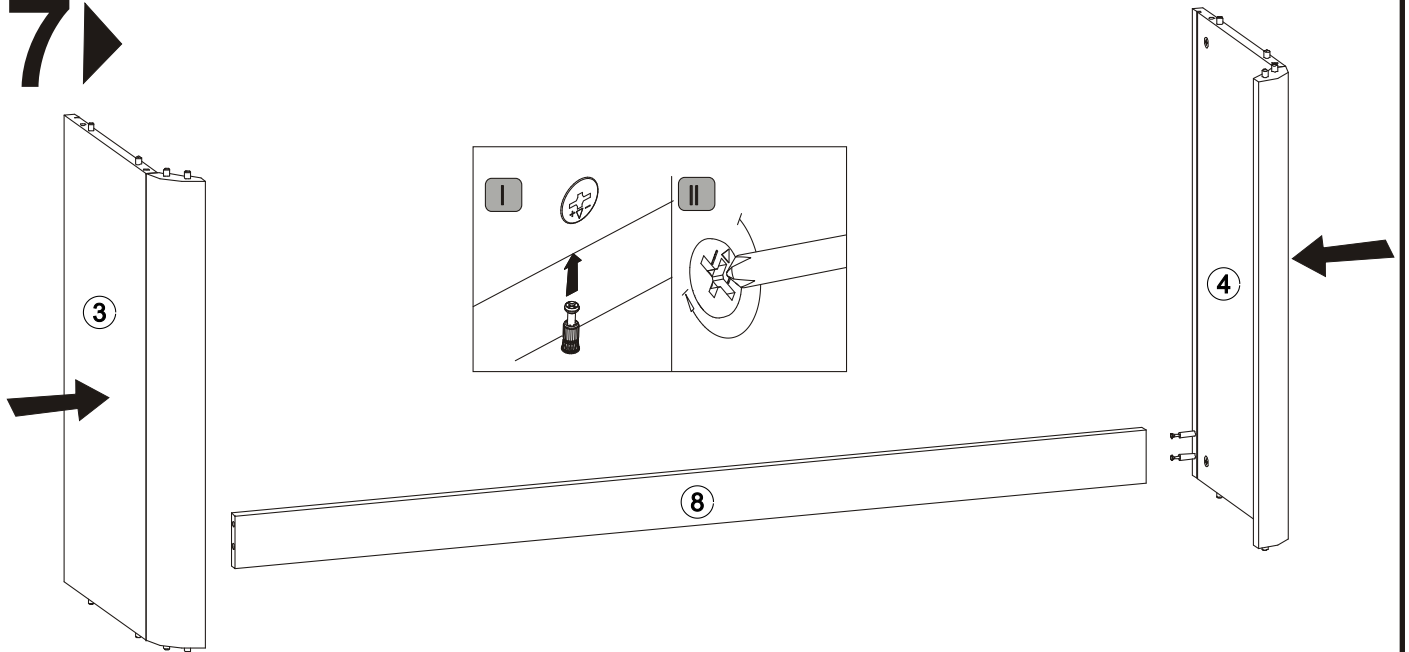
5



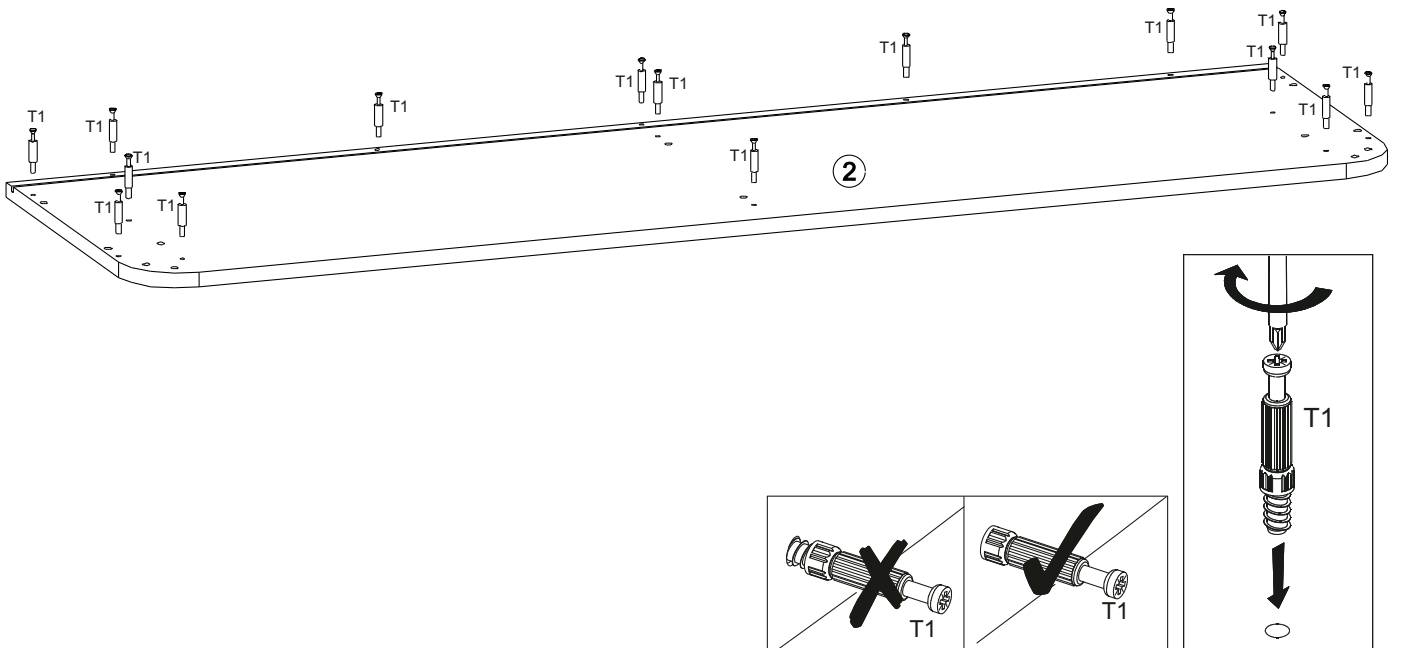
6 ▶



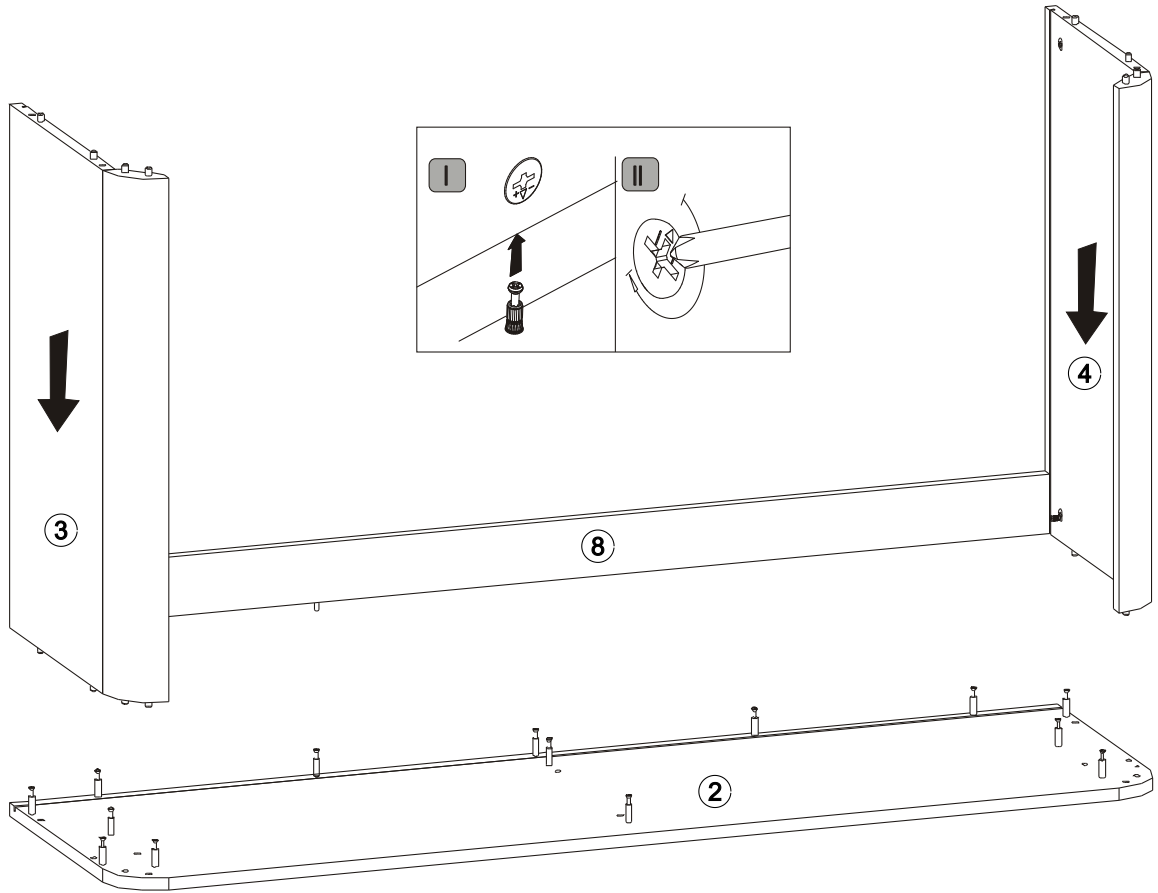
7 ▶



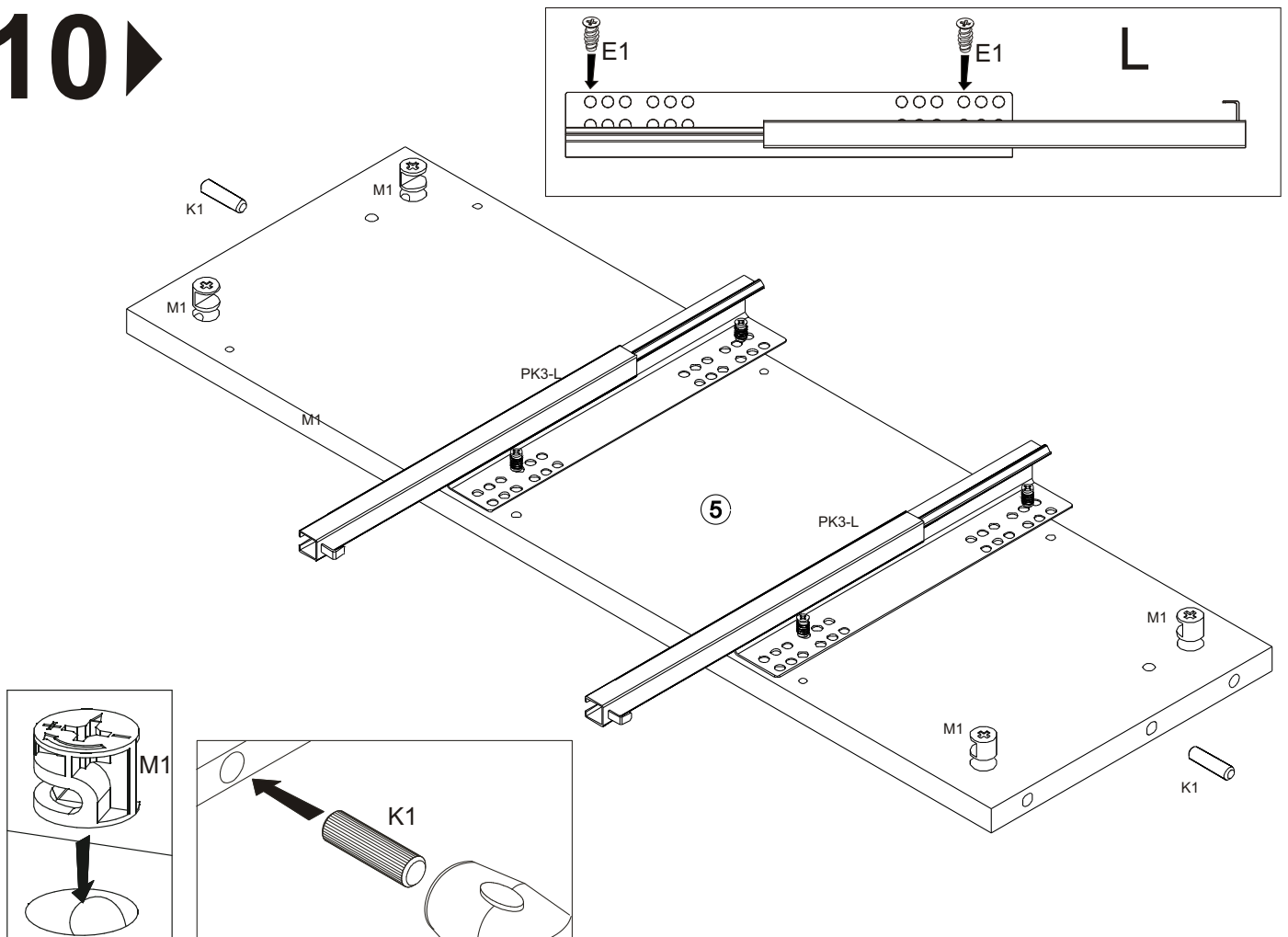
8 ▶



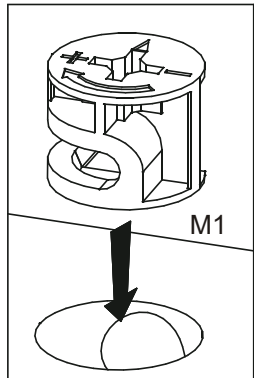
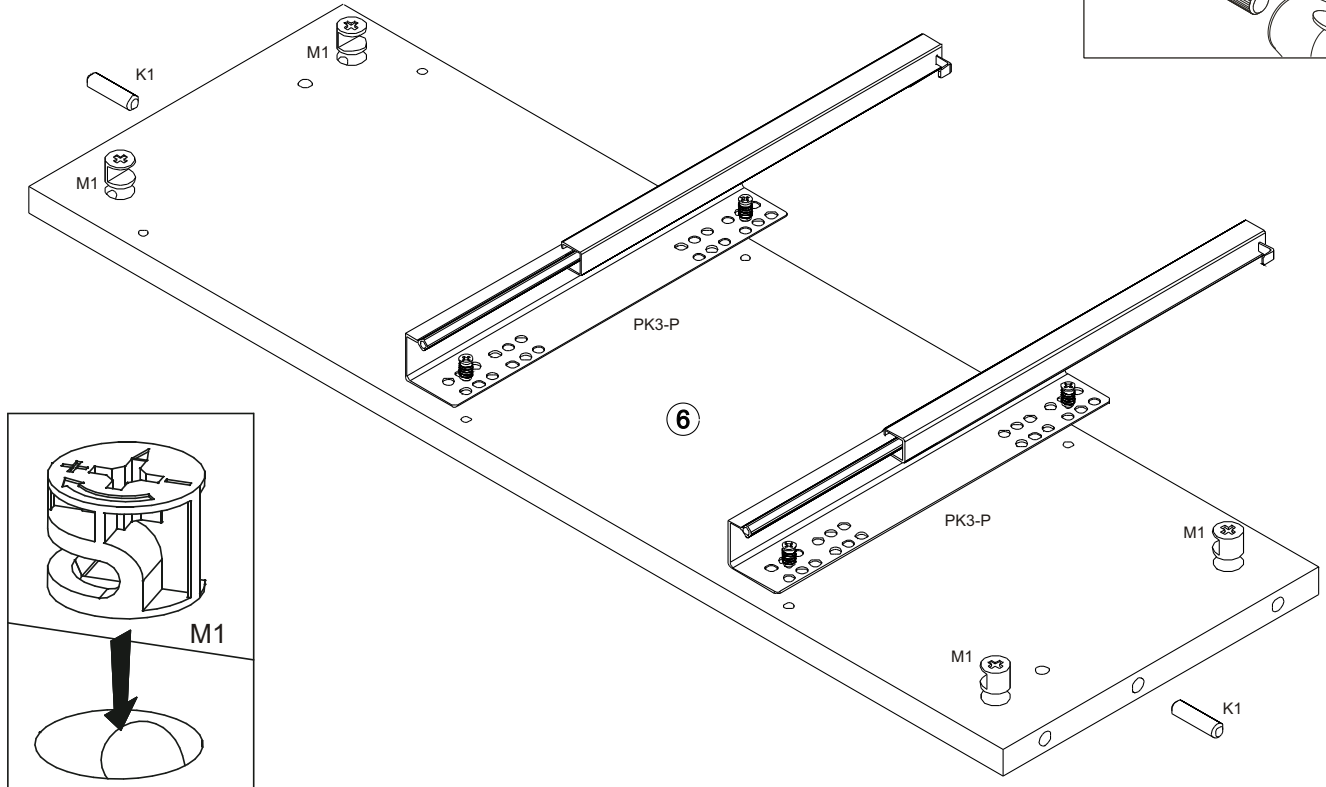
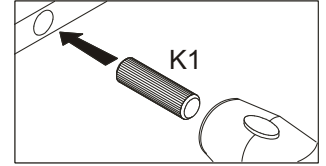
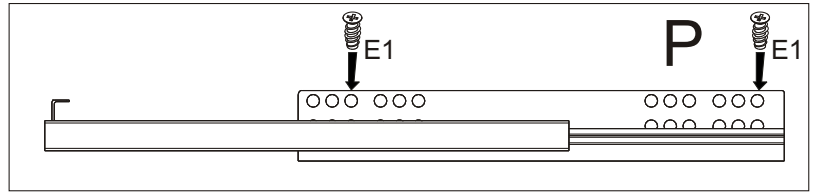
9 ▶



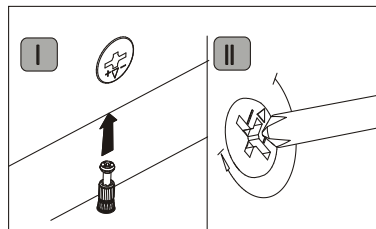
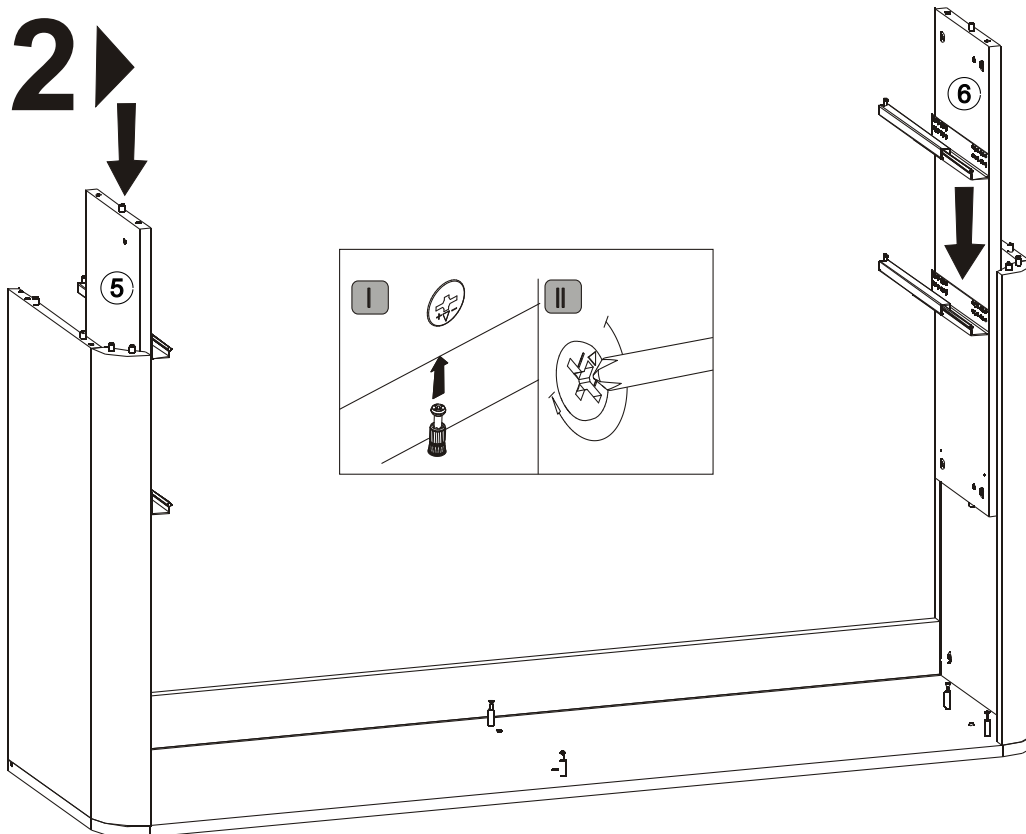
10 ▶



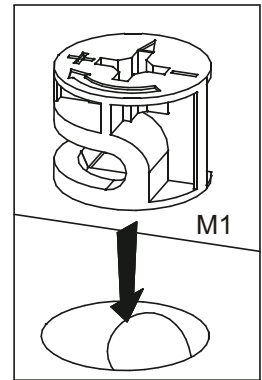
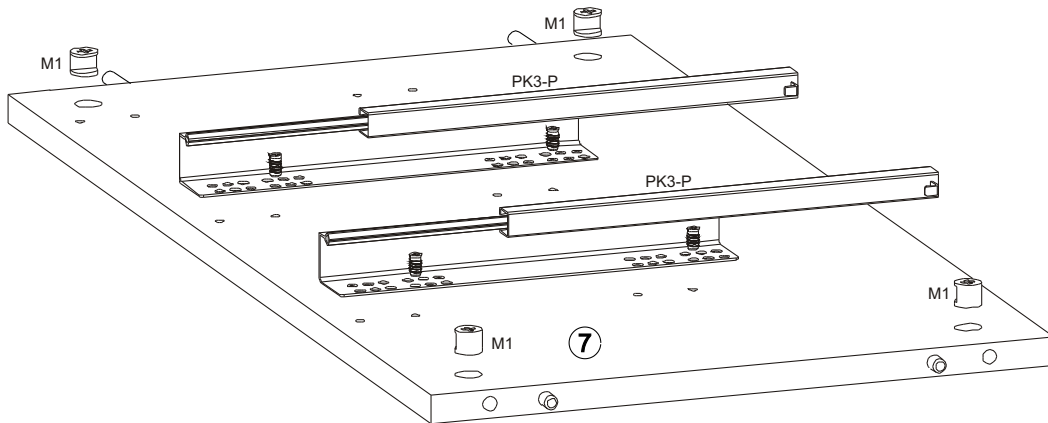
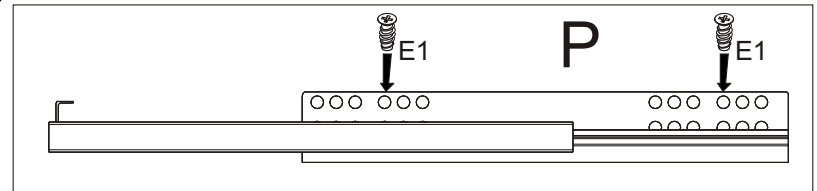
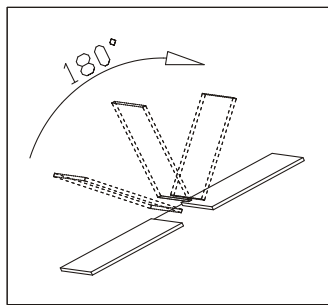
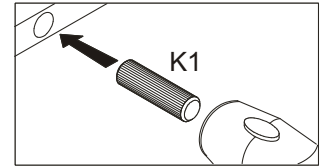
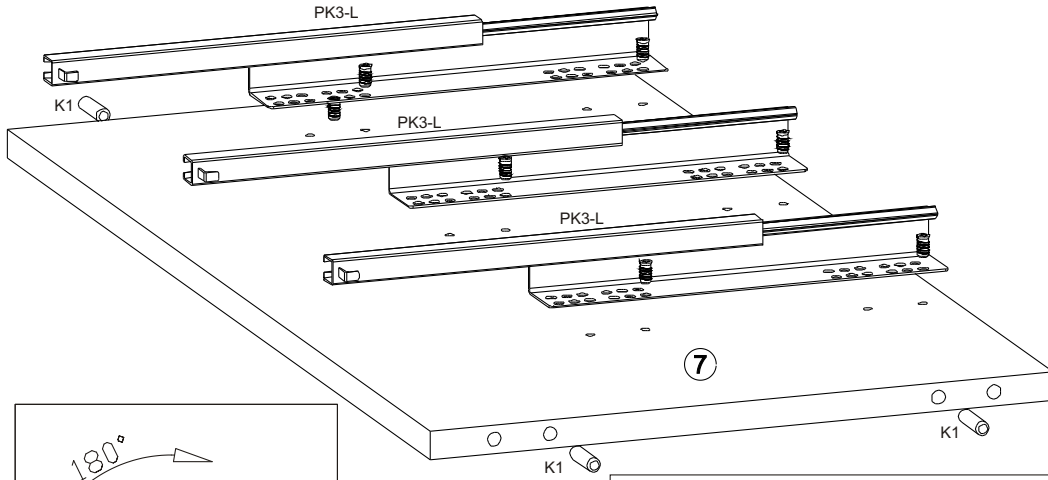
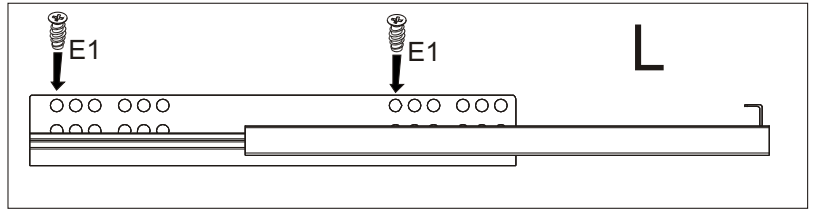
11 ▶



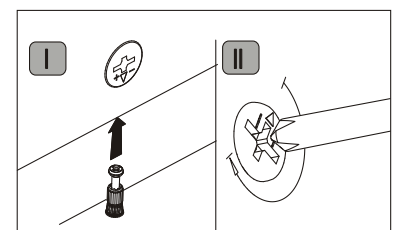
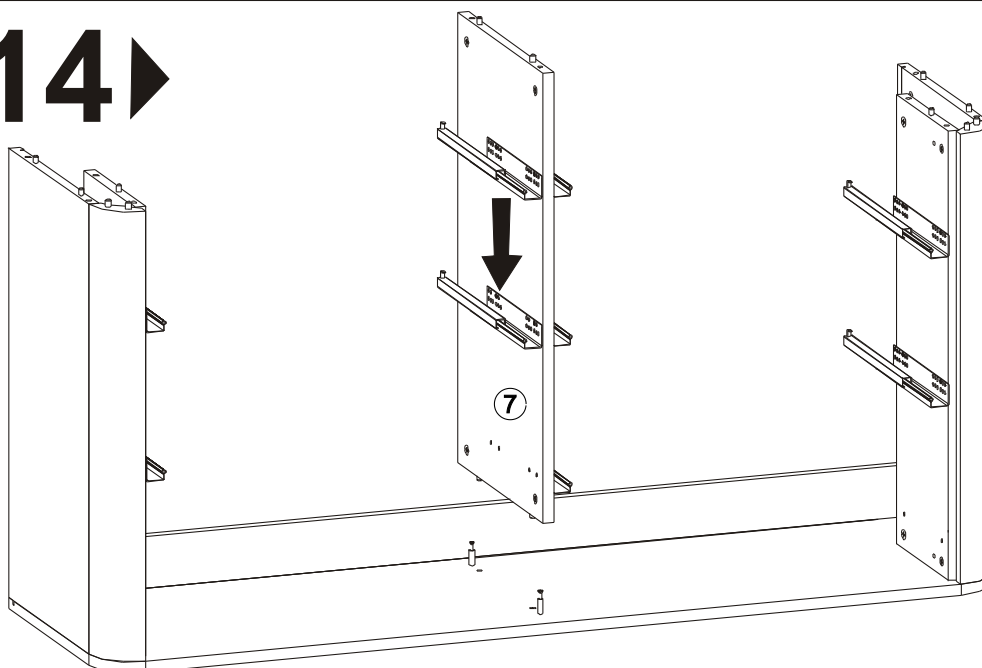
12 ▶



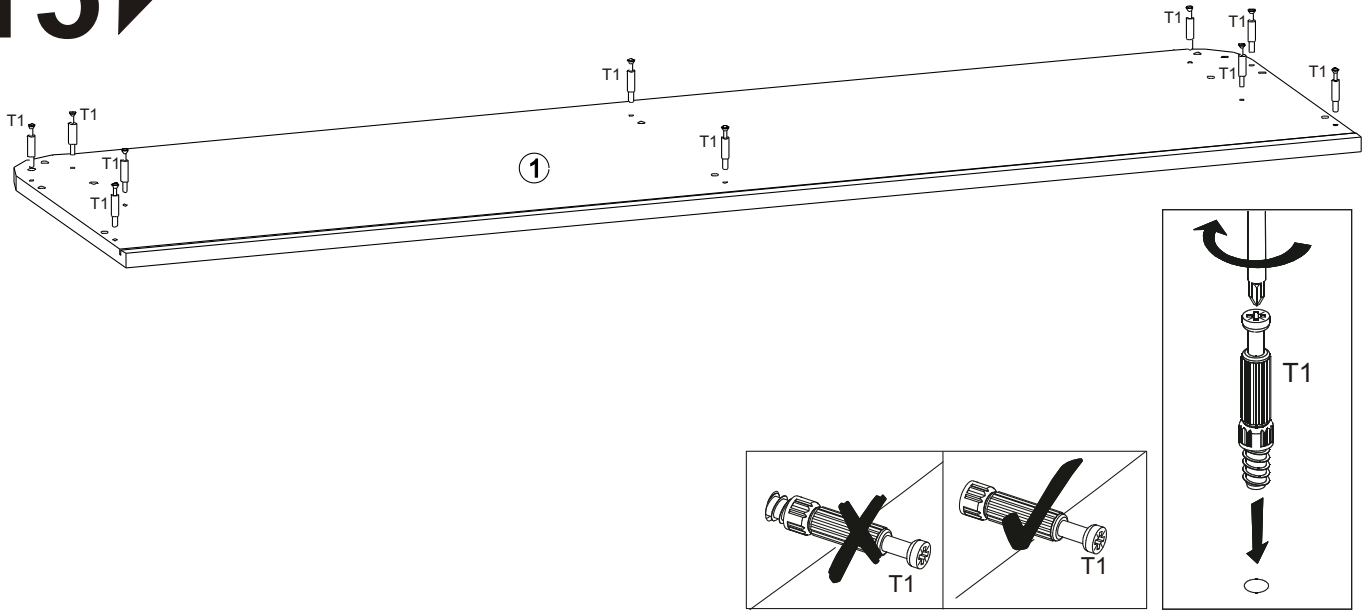
13 ▶



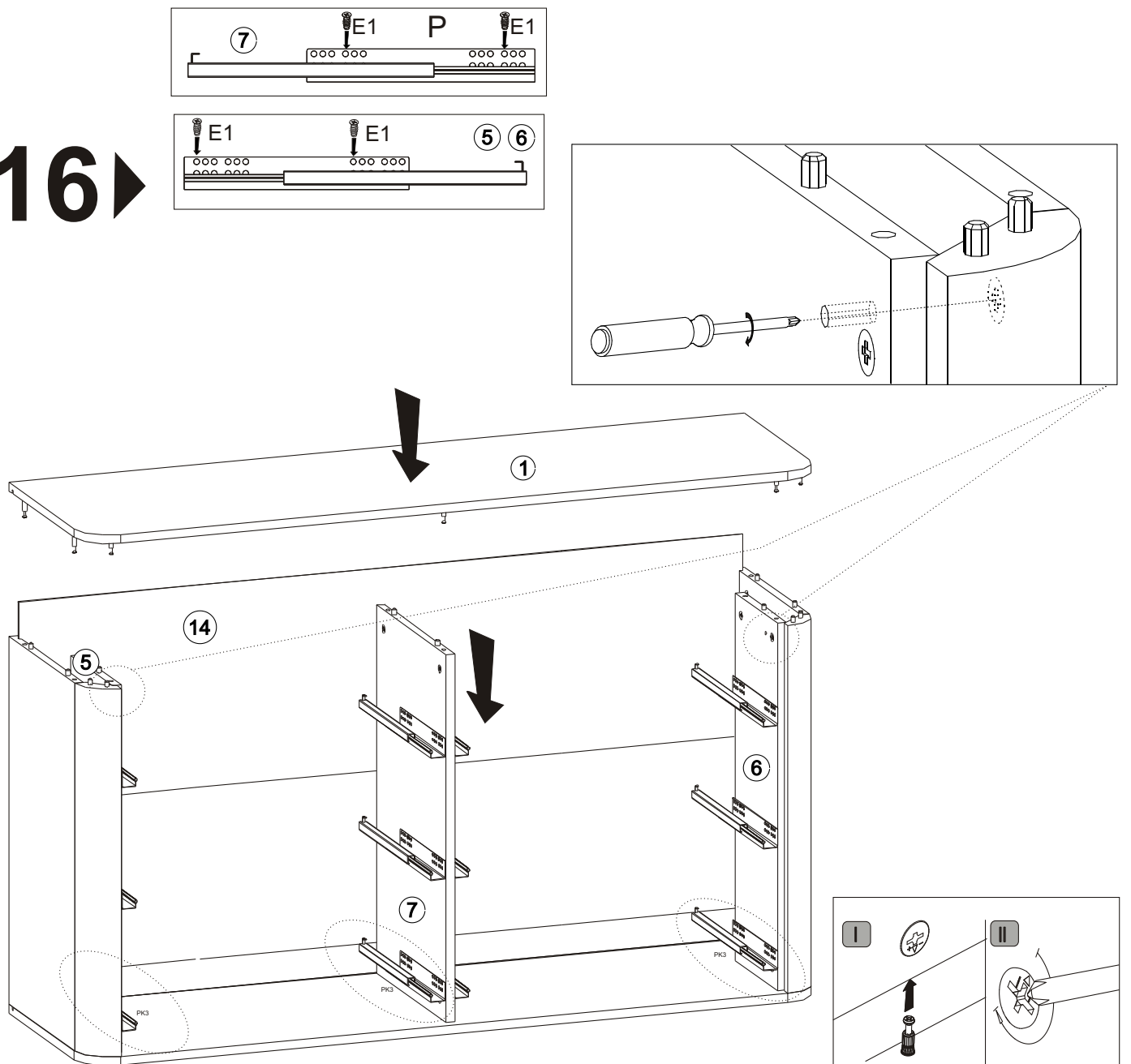
14 ▶



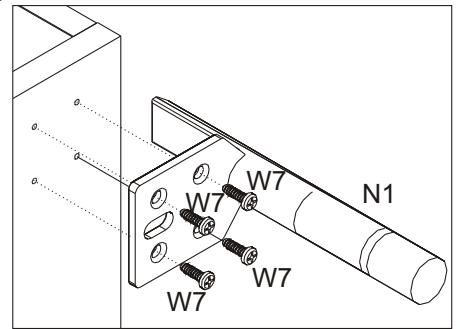
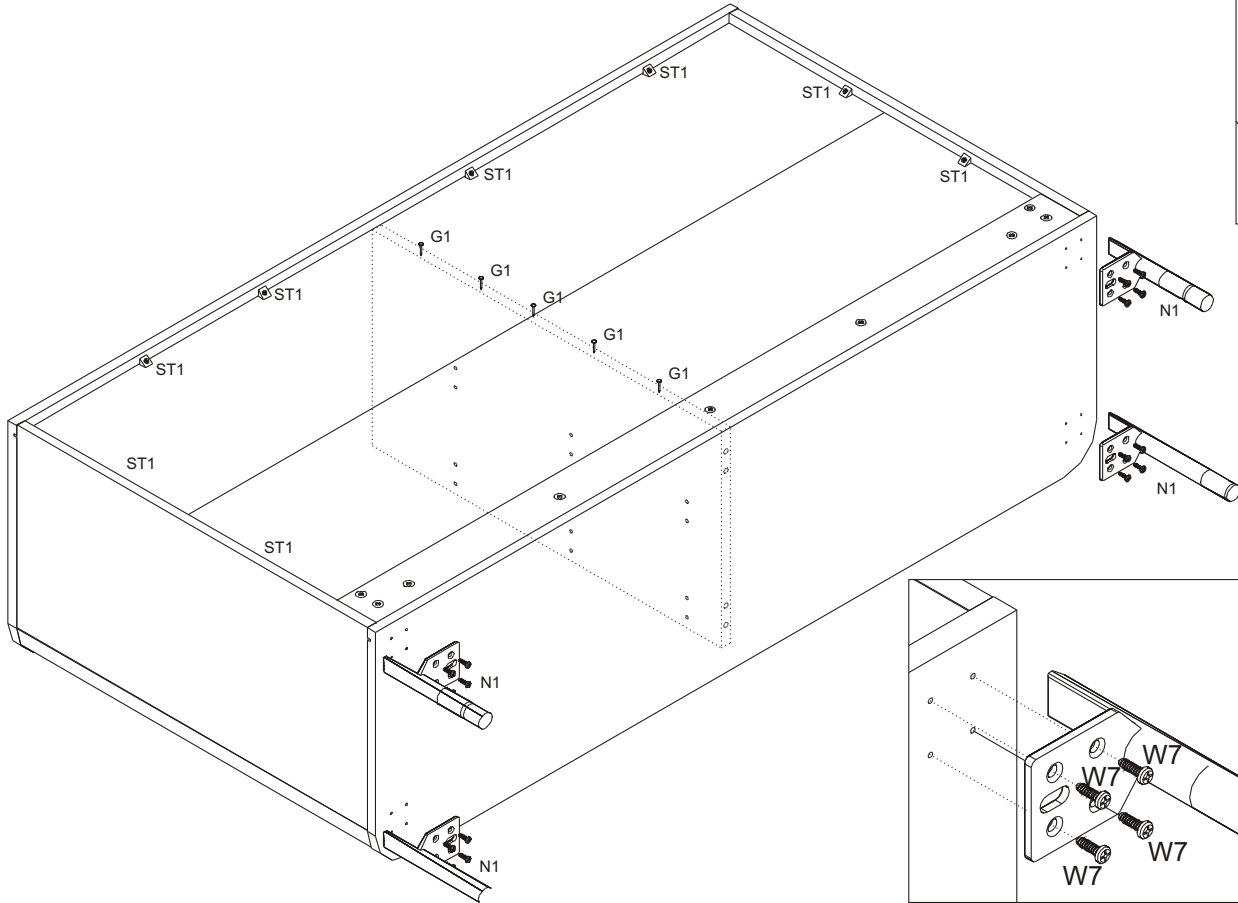
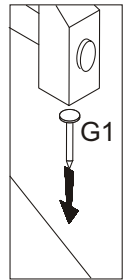
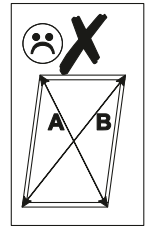
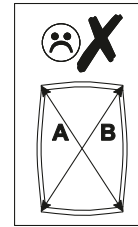
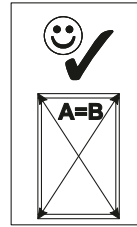
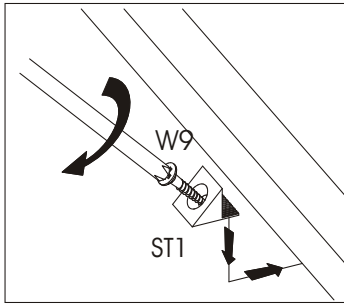
15▶



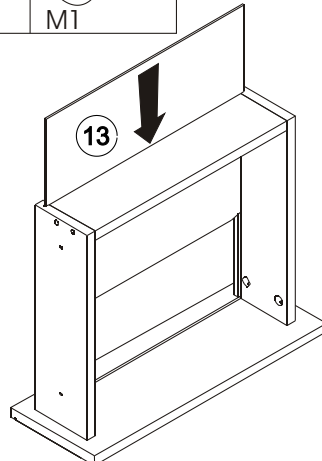
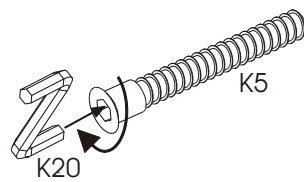
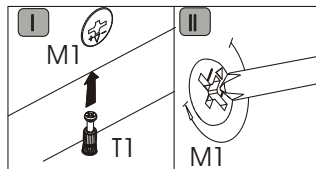
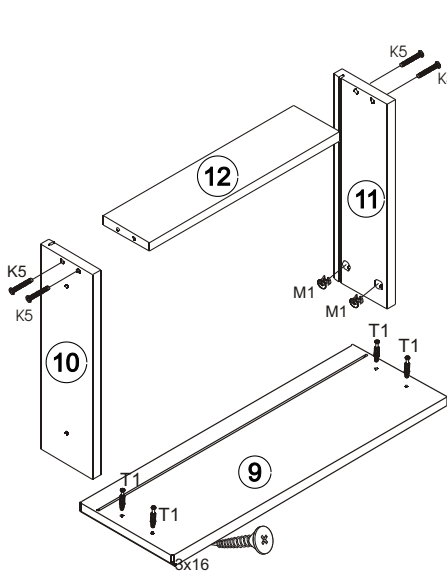
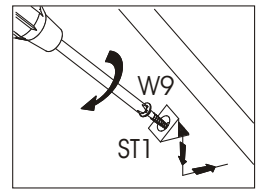
16▶



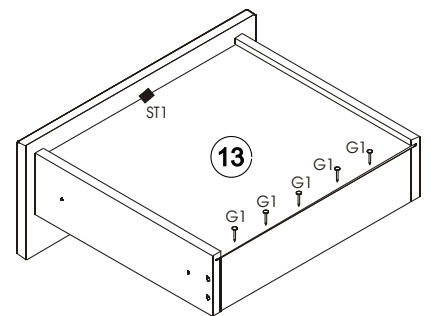
17▶



18▶



x6



19 ▶

