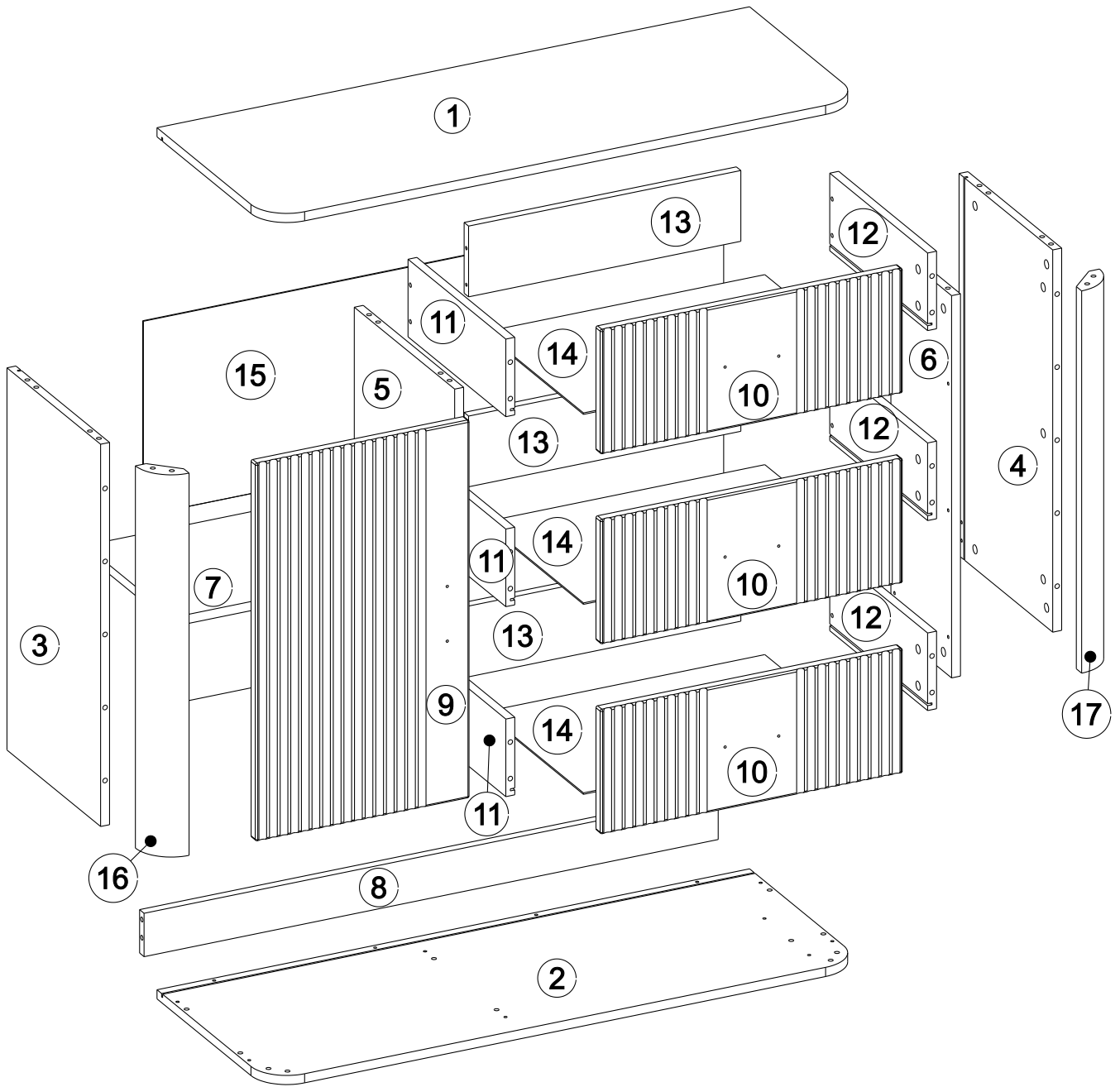
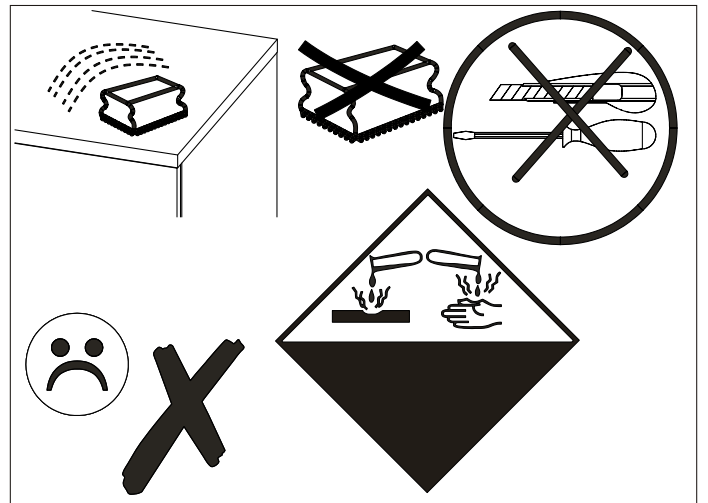
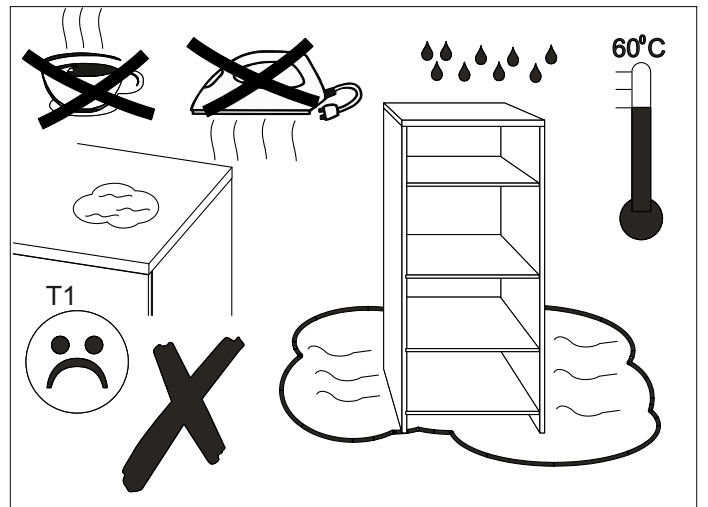
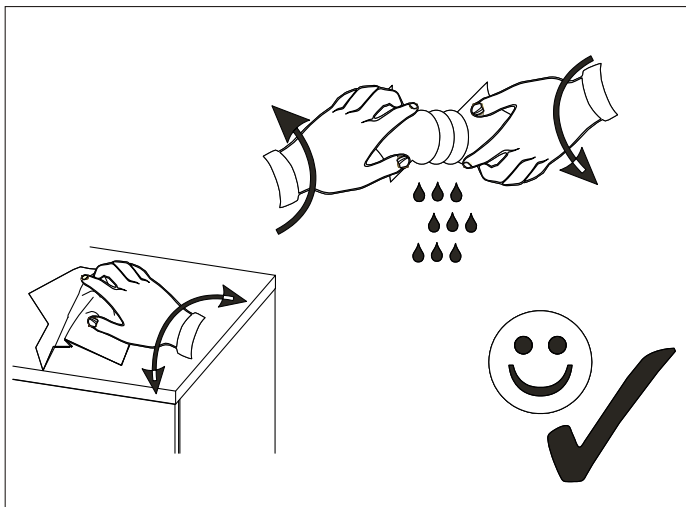
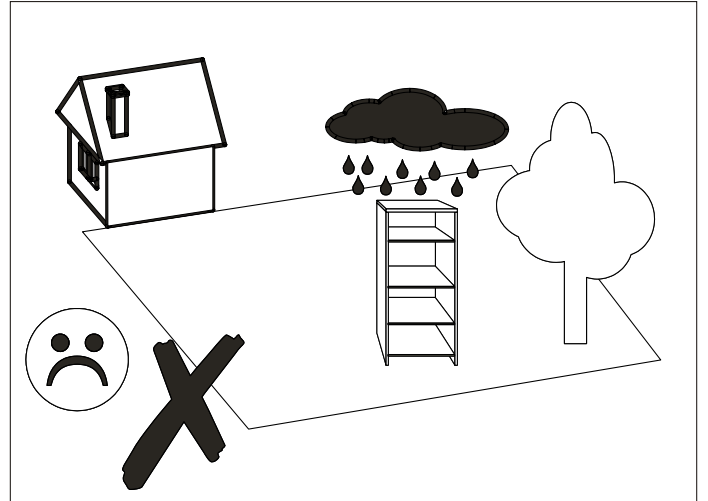
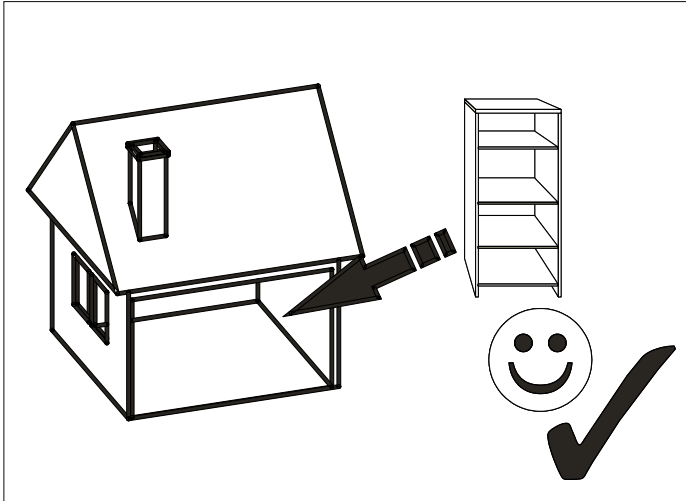
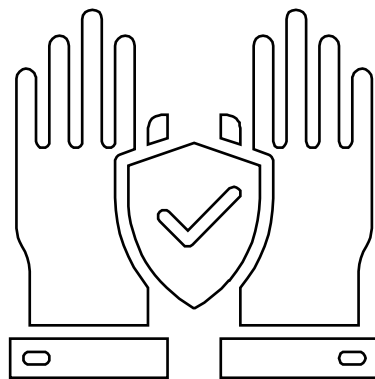
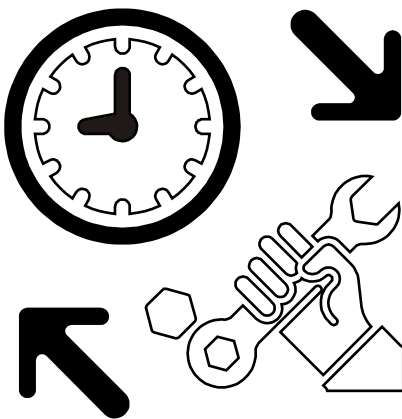
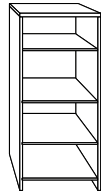


2x ZC45	4x W3	4x B1	8x S4					
19x ZN1	6x W6	8x ST1	3x PK3	3x PK3	8x W9	4x N1		
12x K5	26x K1	4x U 1	1x K20	42x M1	42x T1	16x W7	23x G1	12x E1

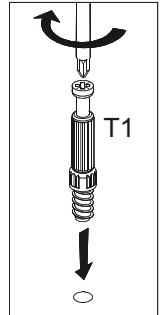
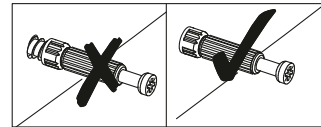
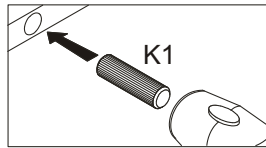
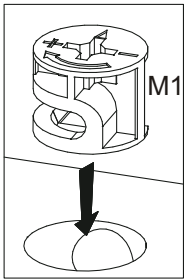
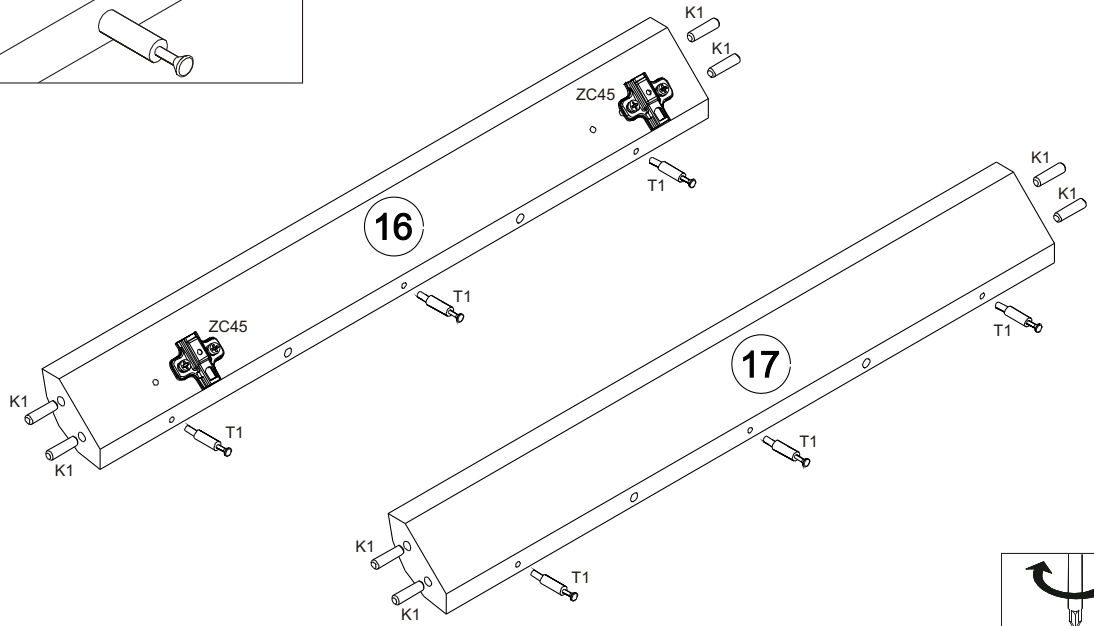
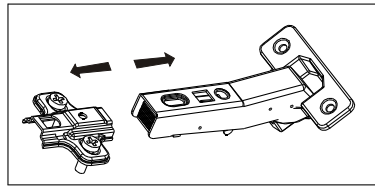
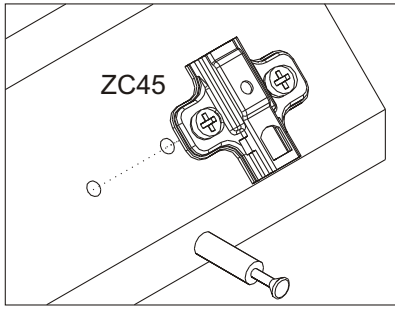


			17	670x90.5	2/5
8	1027x76	1/5	16	670x90.5	2/5
7	425x312	2/5	15	1038x681	1/5
6	670x217	2/5	14	355x502	1/5
5	670x359	2/5	13	487x124	1/5
4	670x335.5	2/5	12	350x136	1/5
3	670x335.5	2/5	11	350x136	1/5
2	1060x400	1/5	10	540x218	3/5
1	1060x400	1/5	9	662x382	3/5

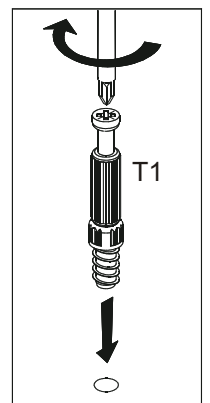
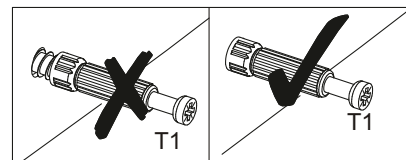
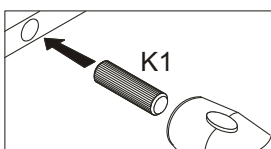
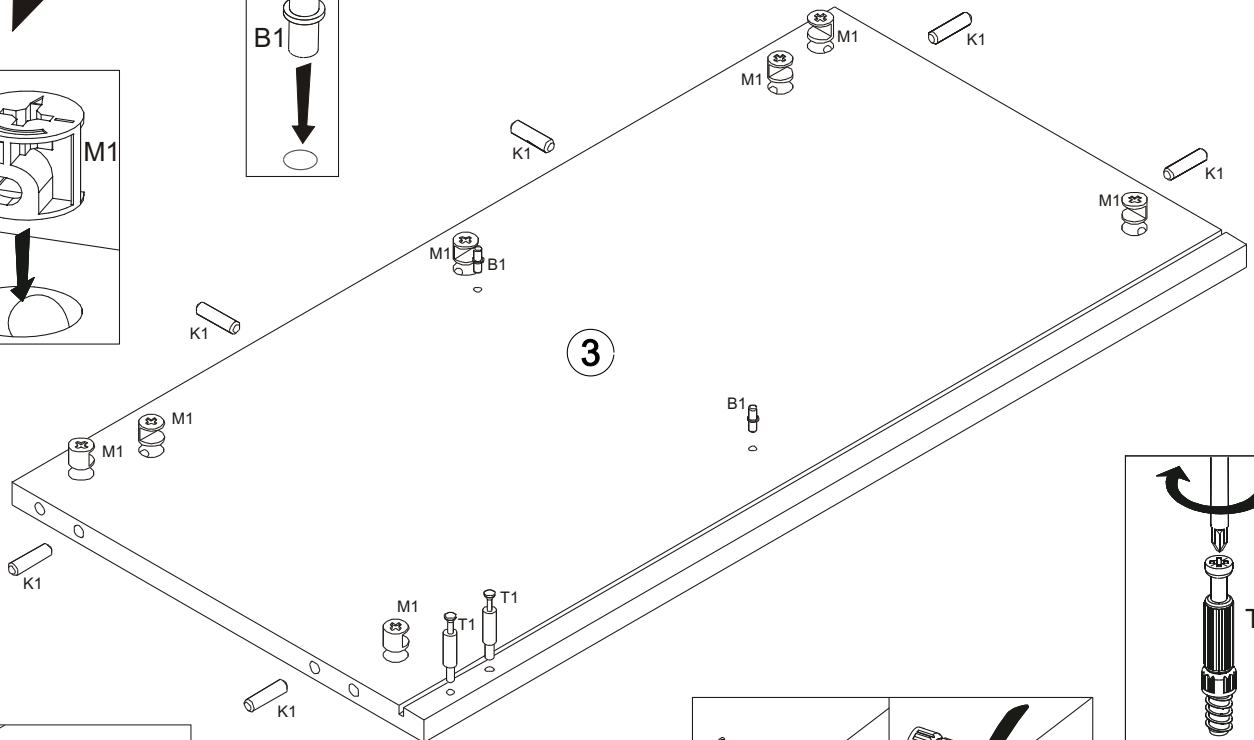
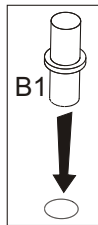
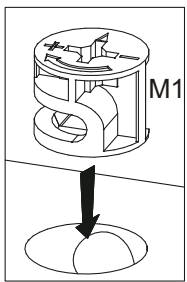




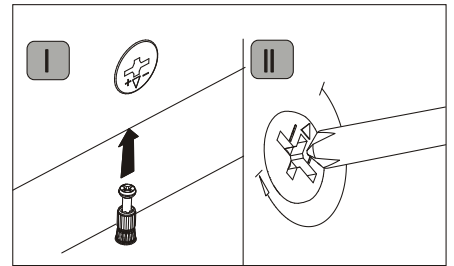
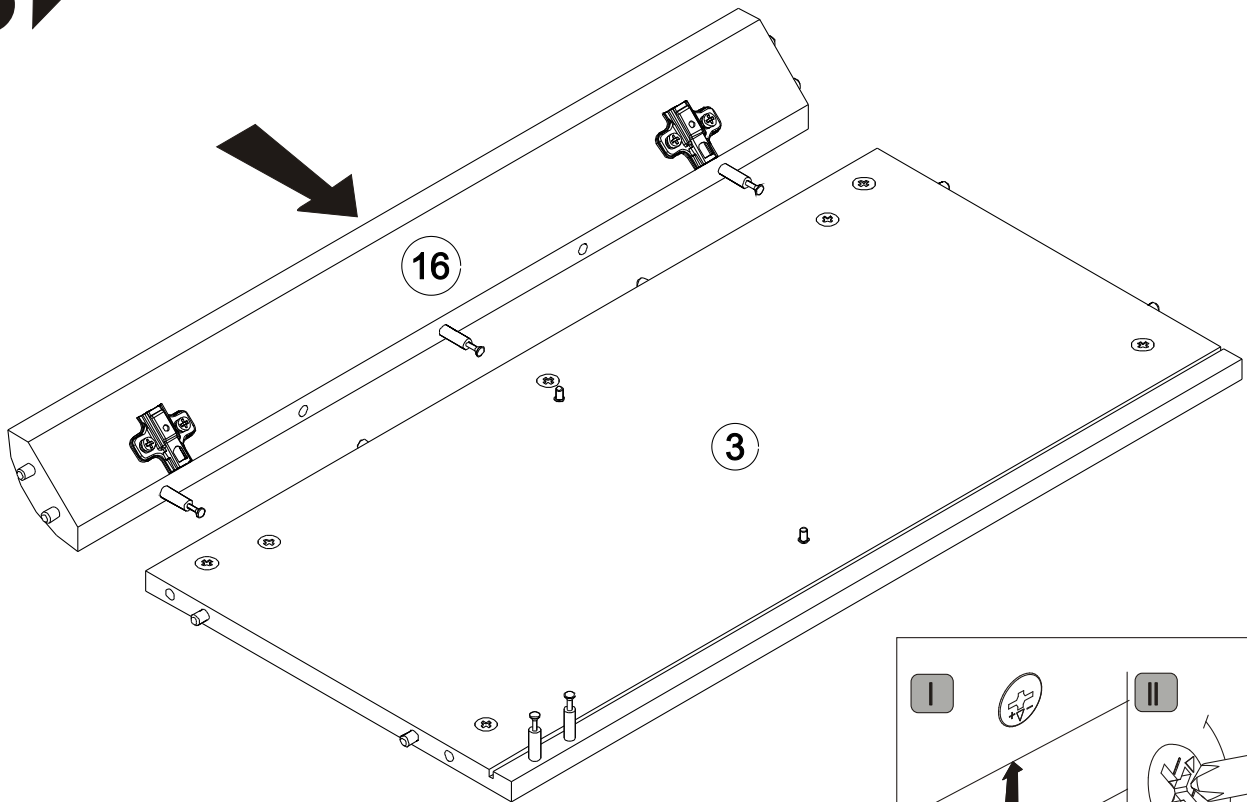
1



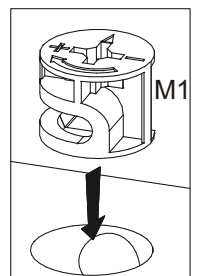
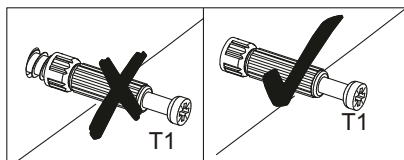
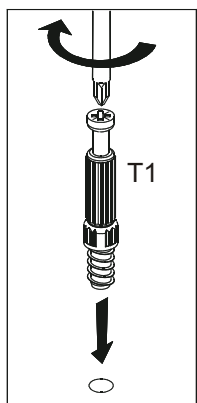
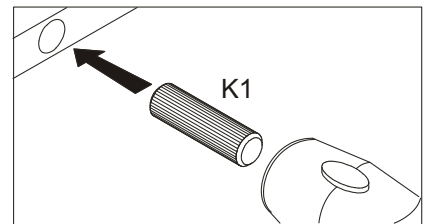
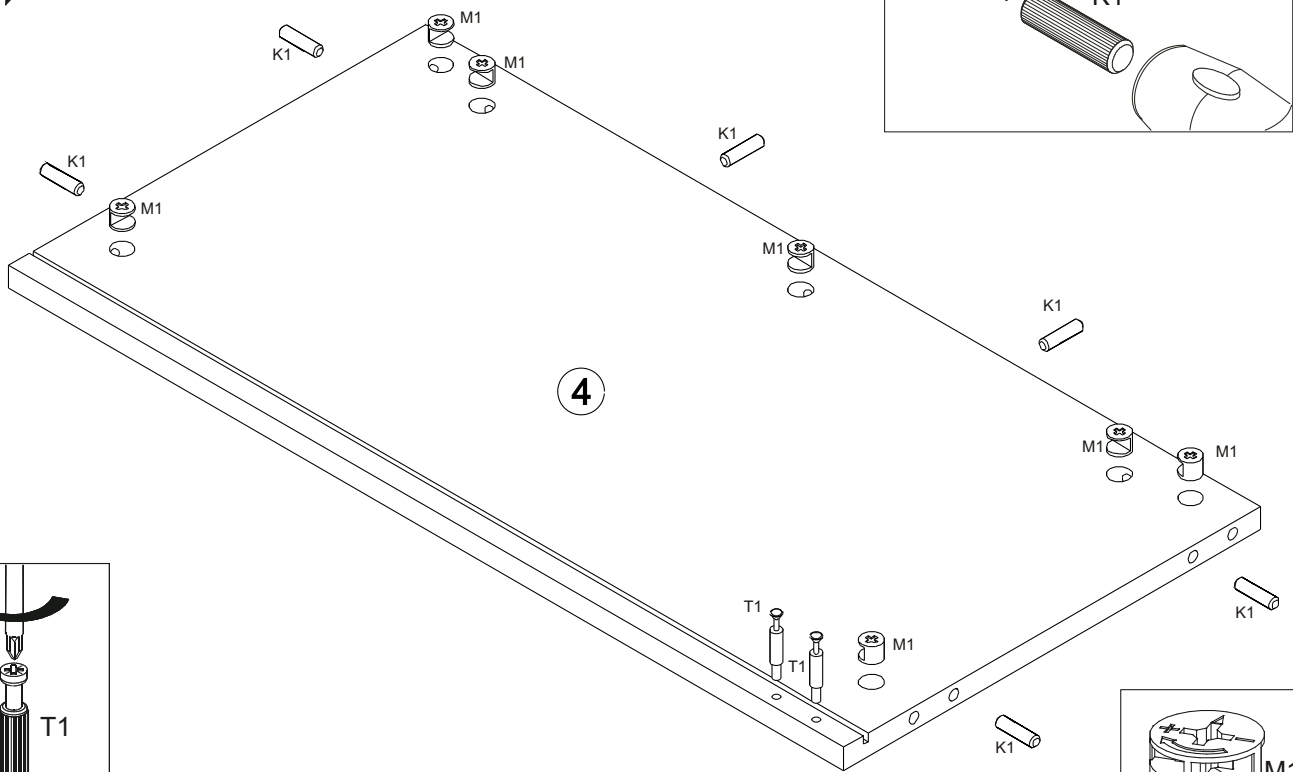
2



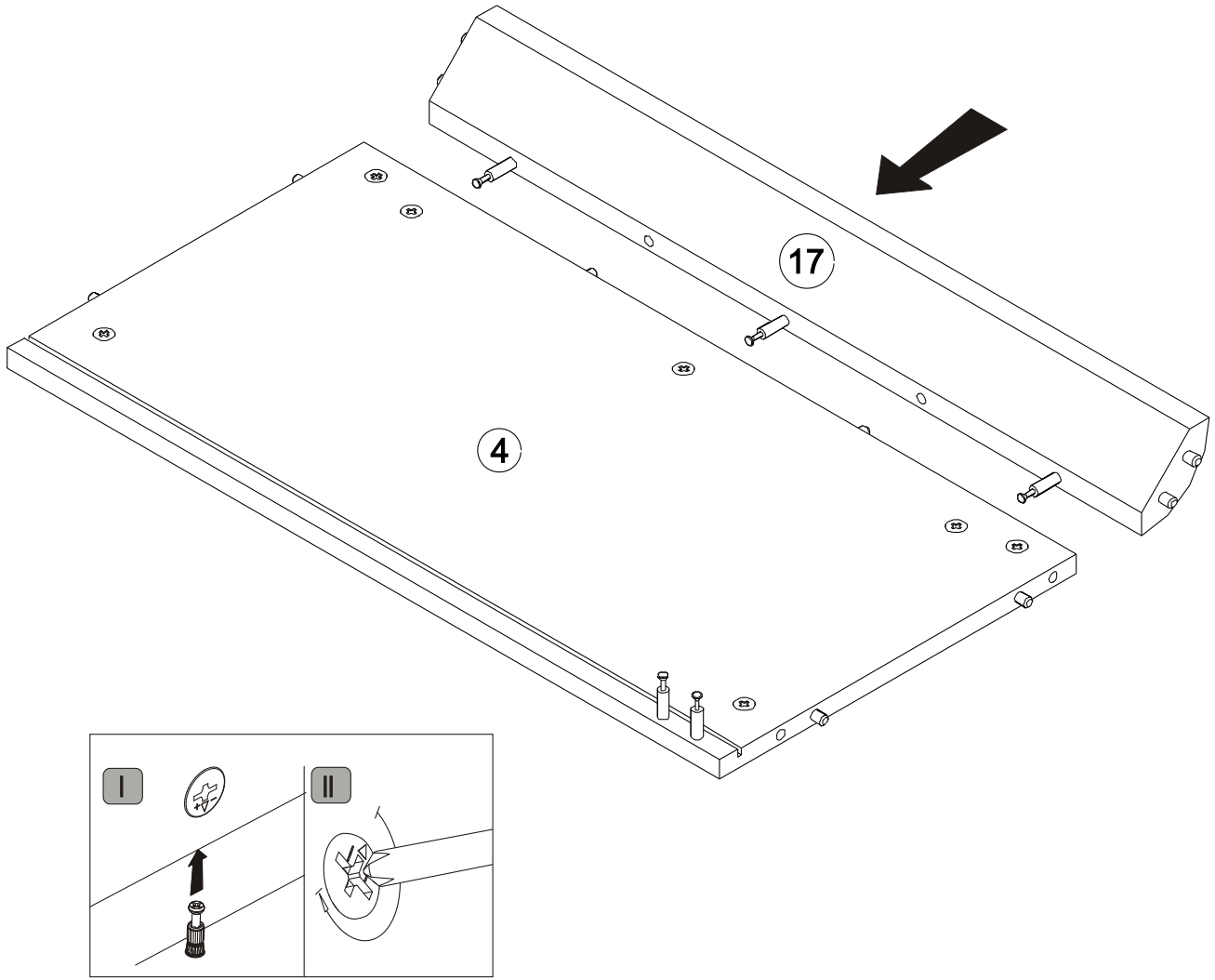
3 ▶



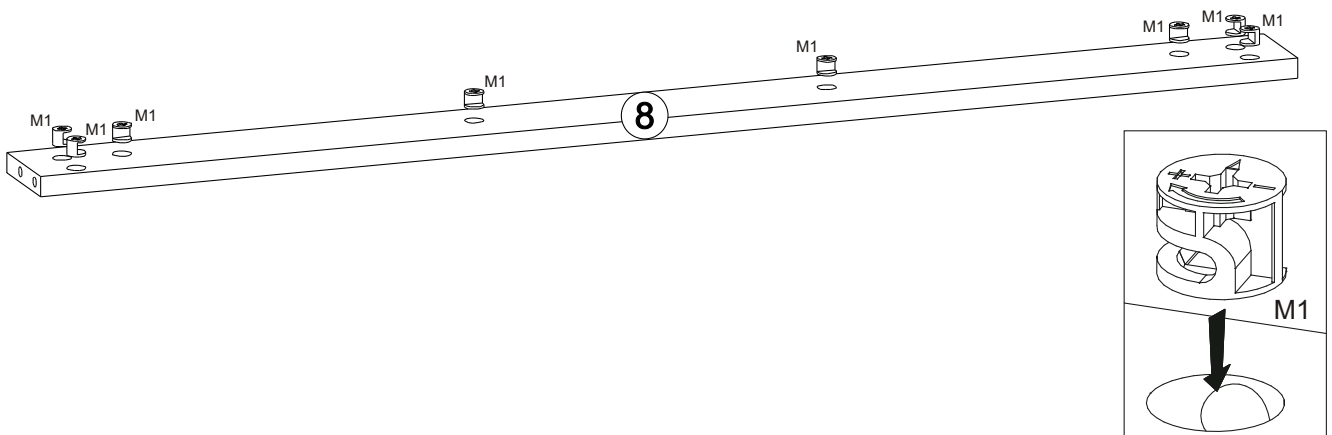
4 ▶



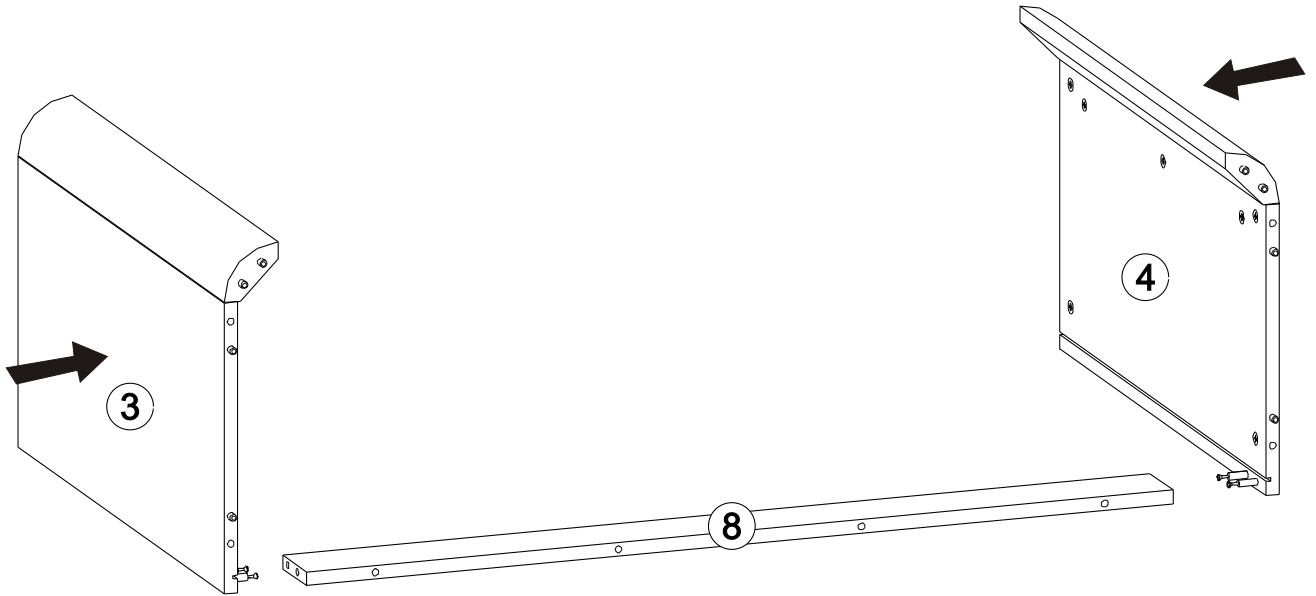
5 ▶



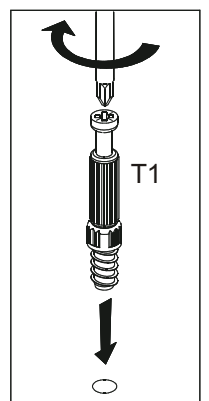
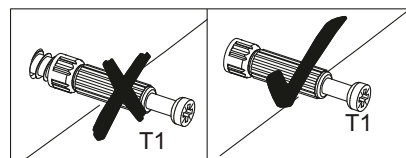
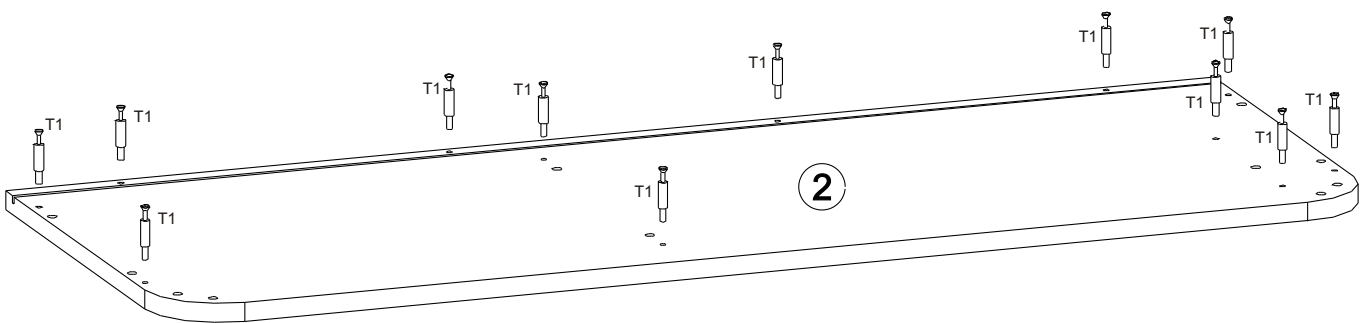
6 ▶



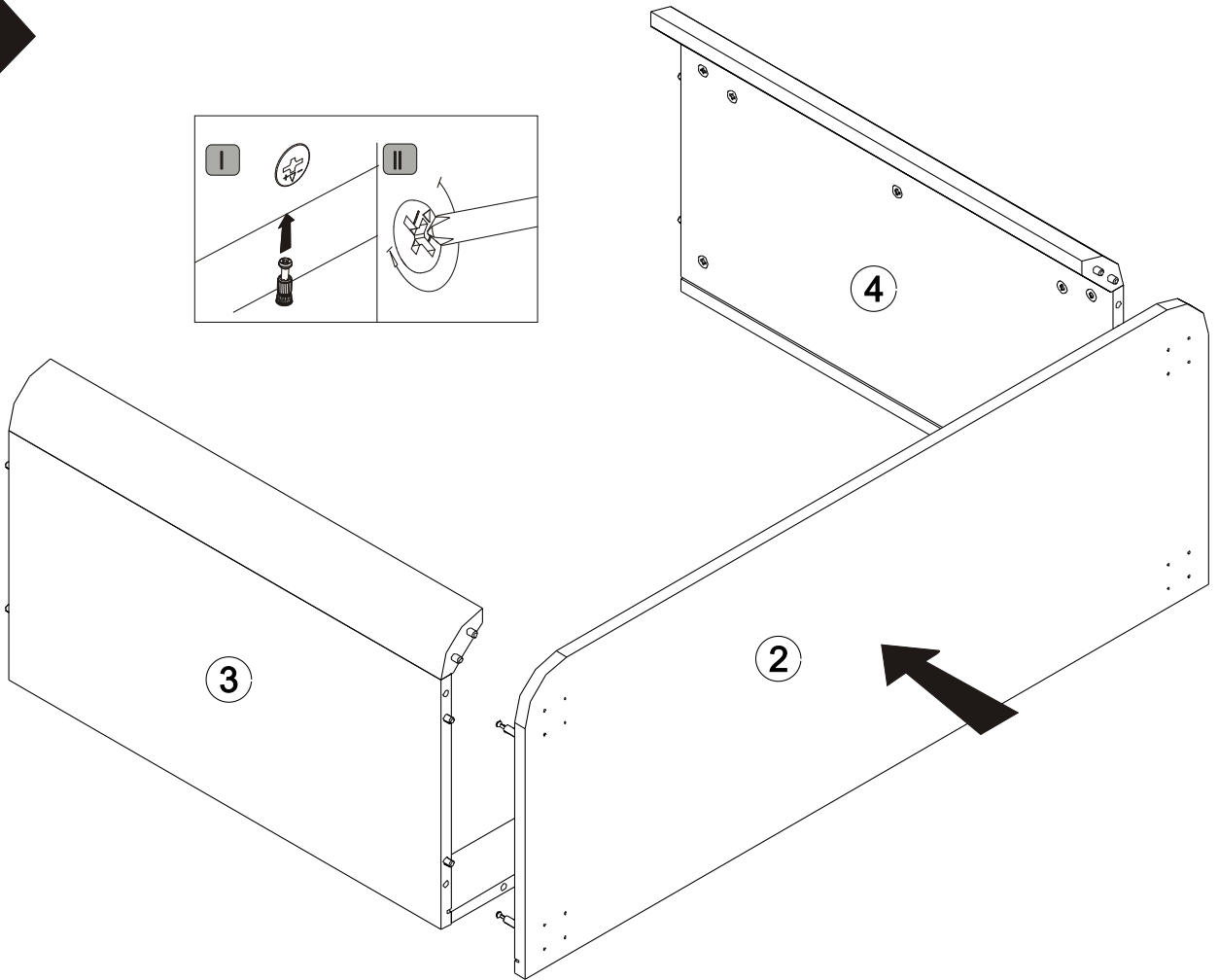
7 ▶



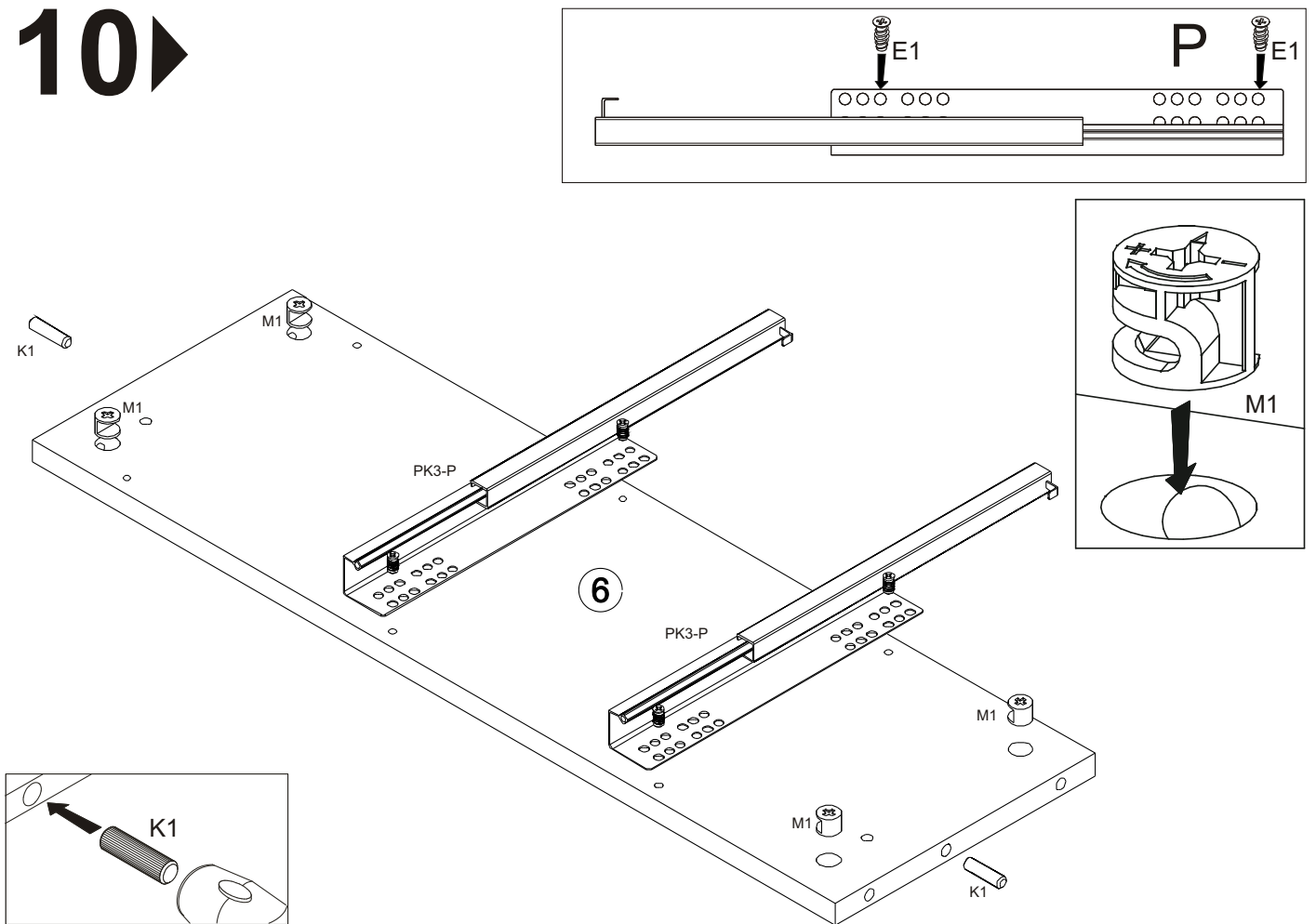
8 ▶



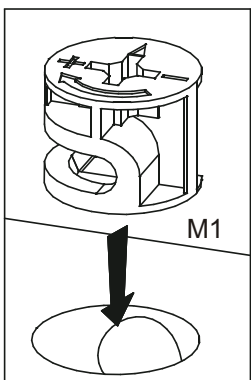
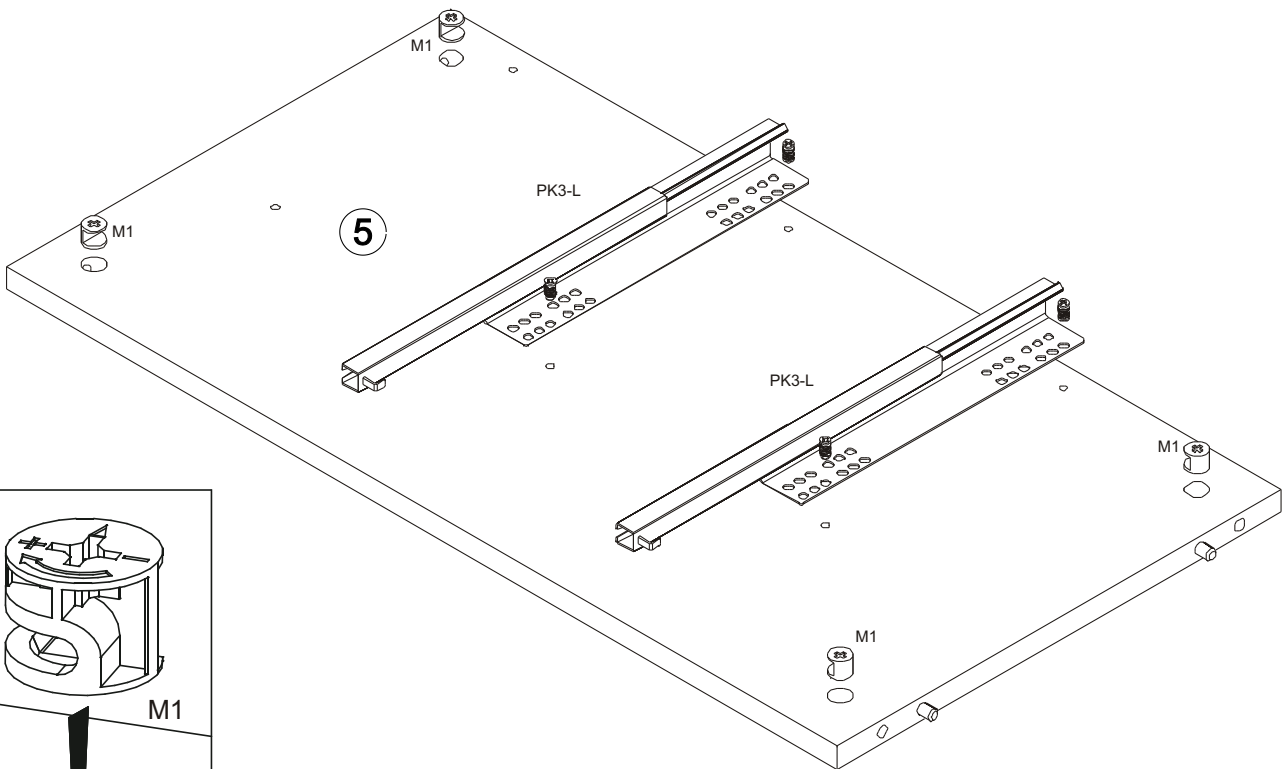
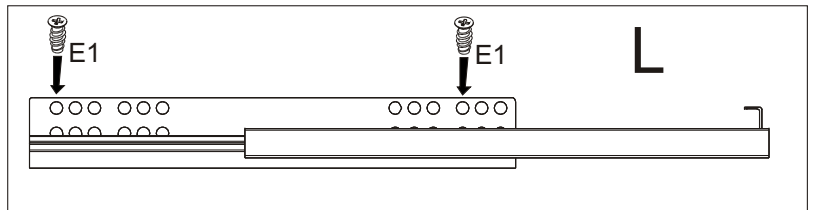
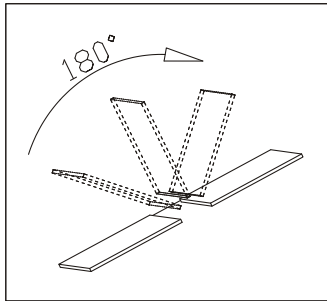
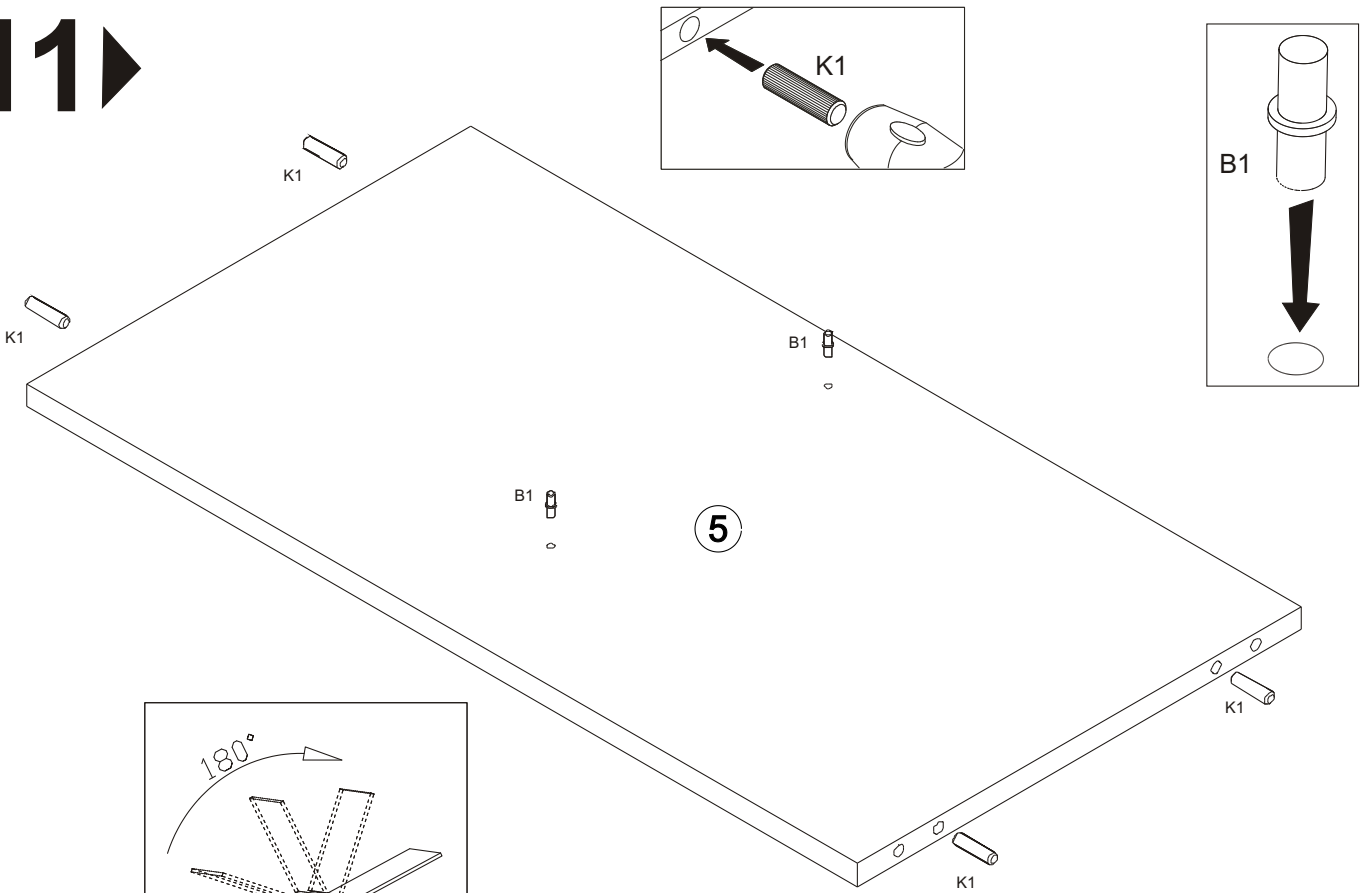
9 ▶



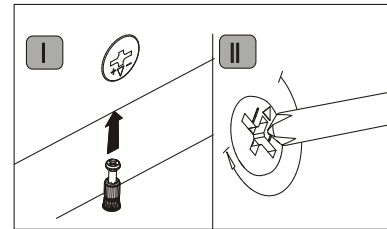
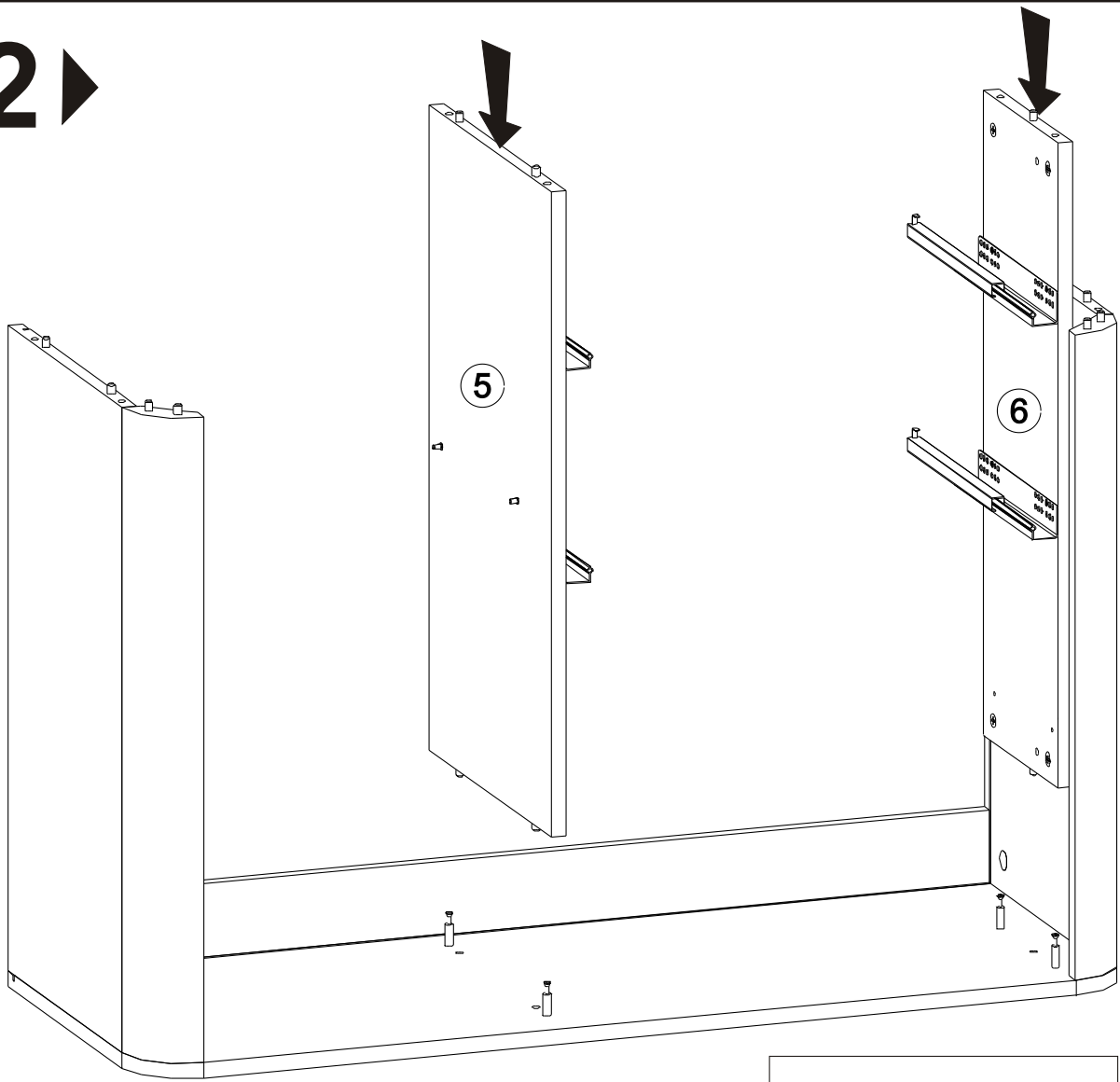
10 ▶



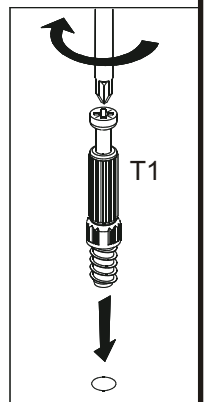
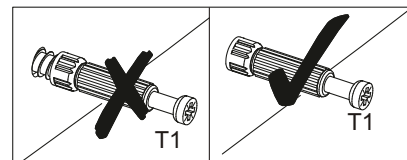
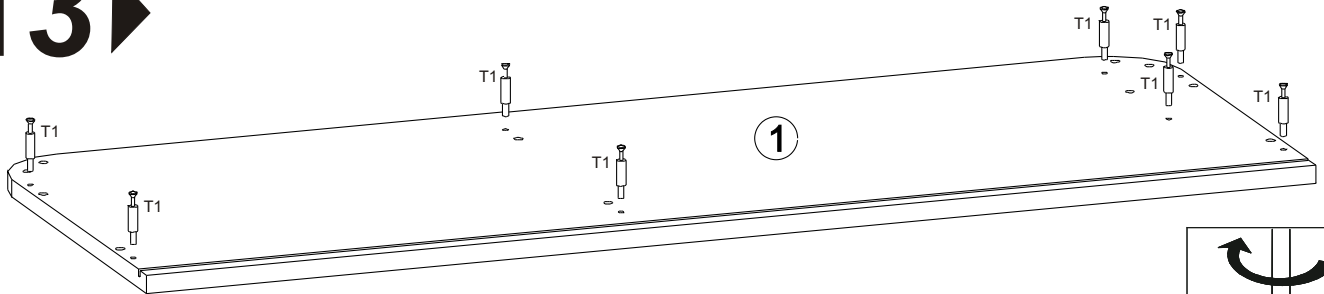
11



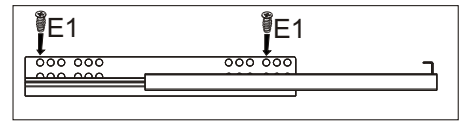
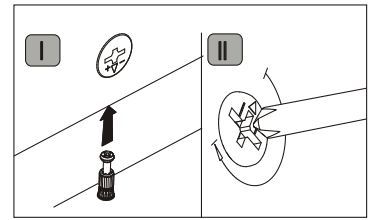
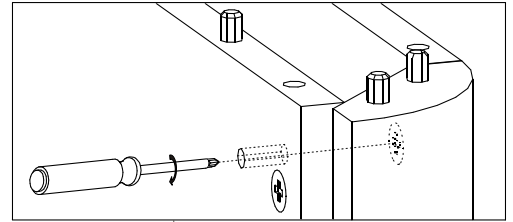
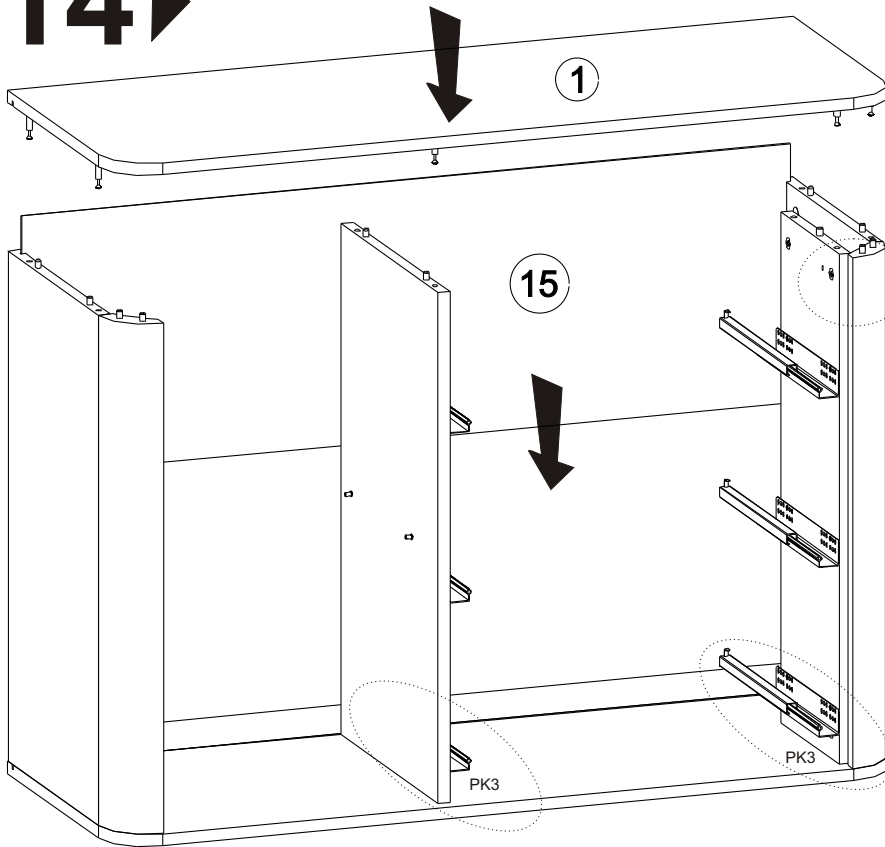
12 ▶



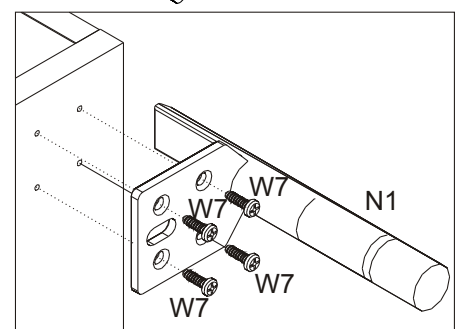
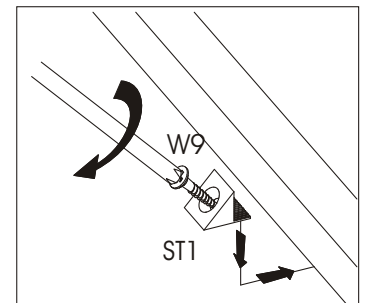
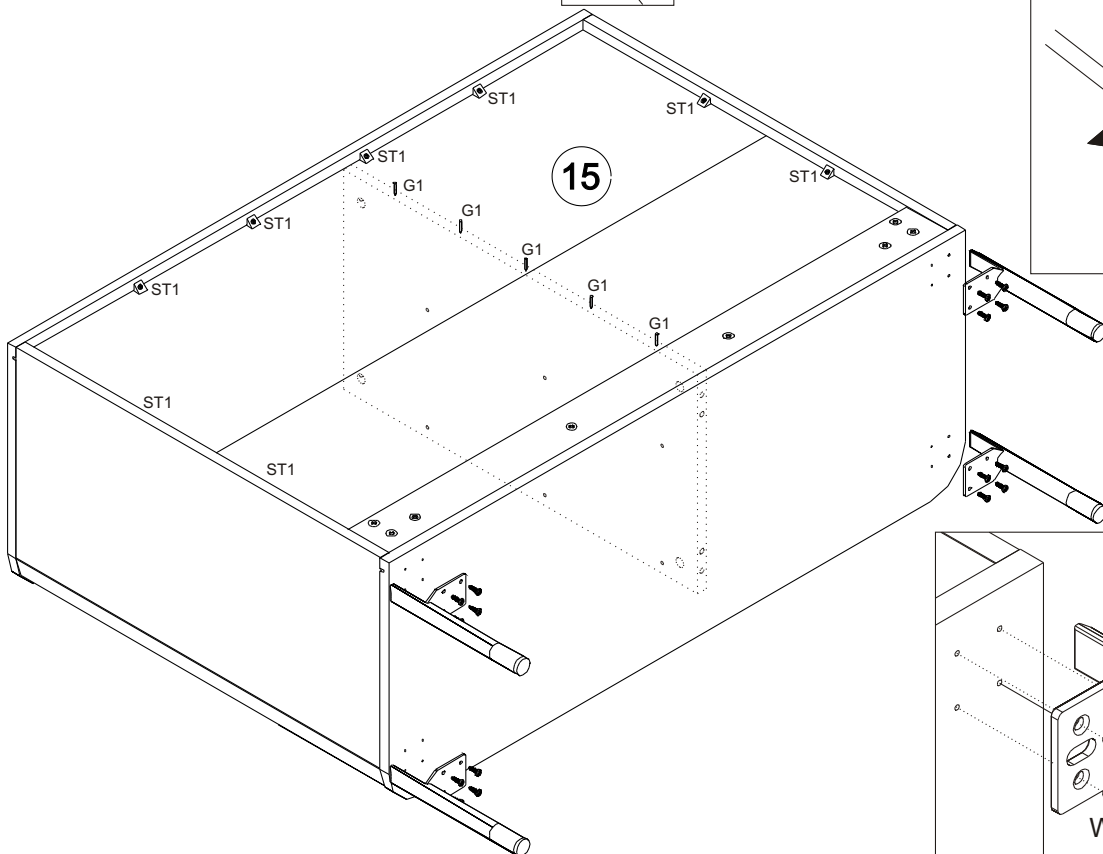
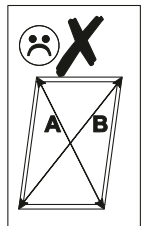
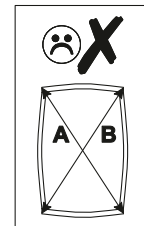
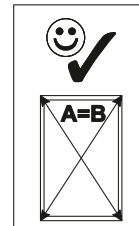
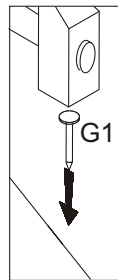
13 ▶



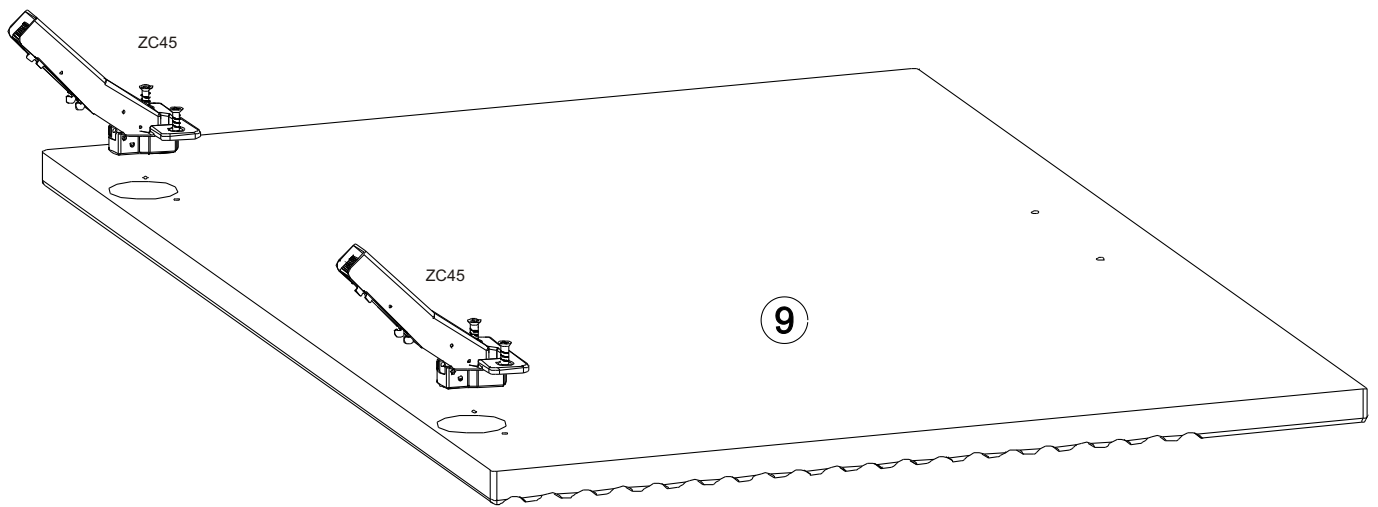
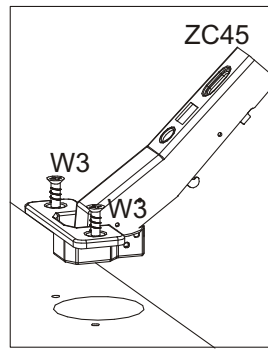
14



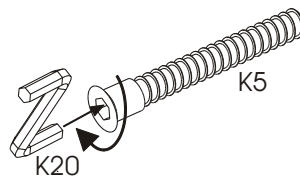
15



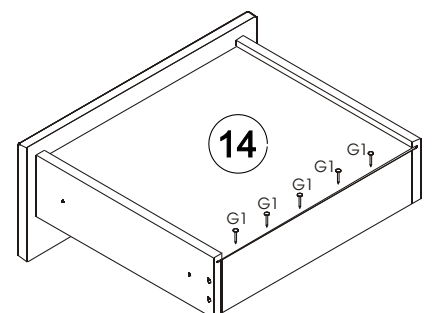
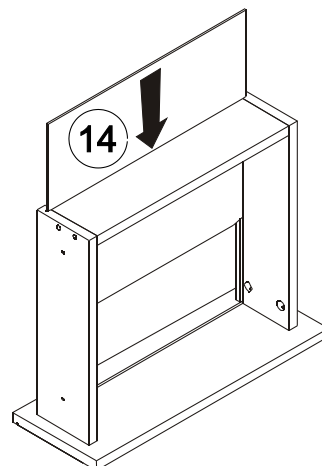
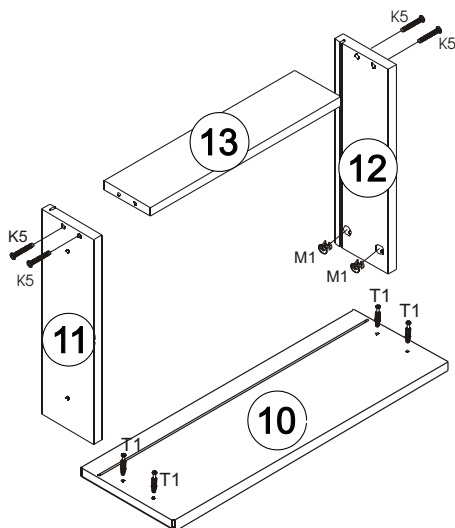
16▶



17▶



x3



18▶

