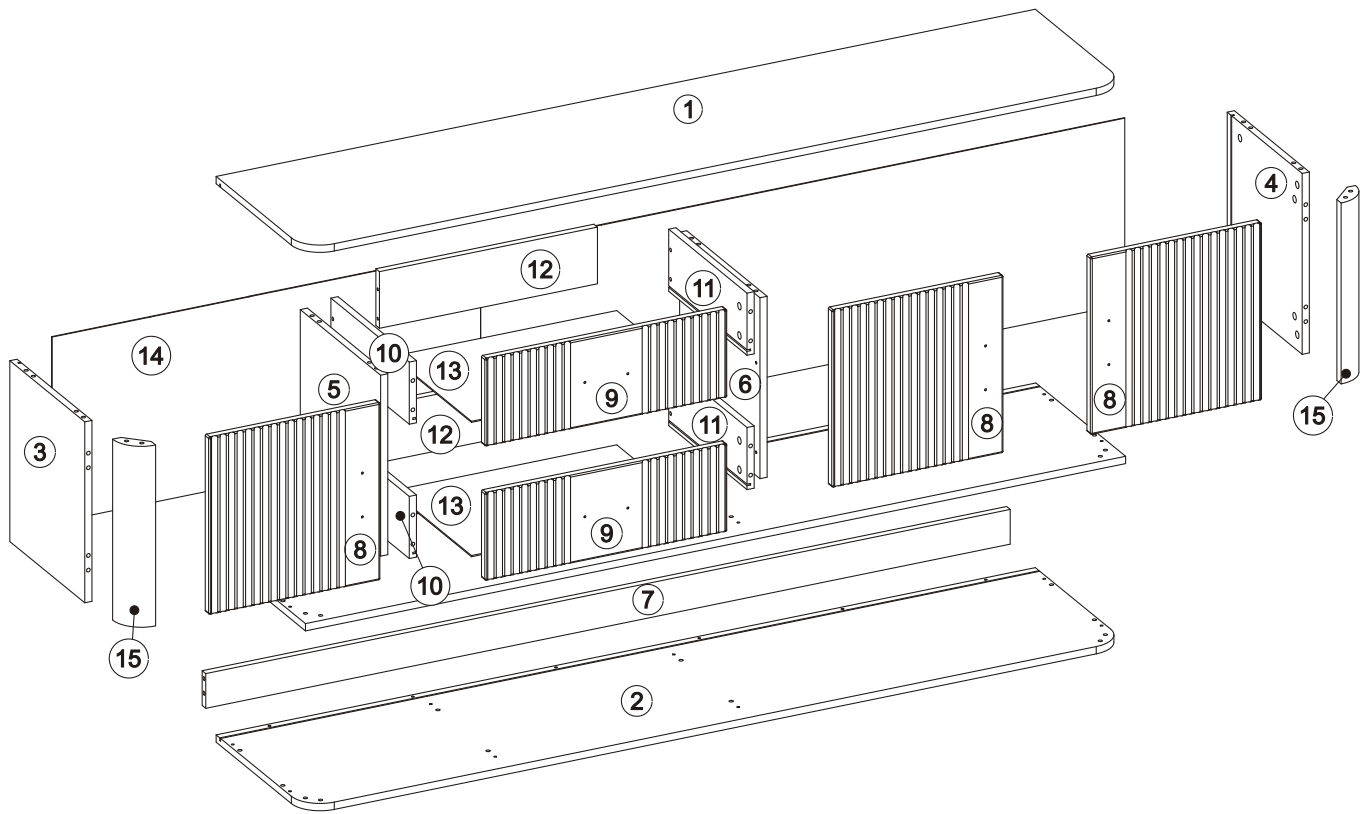
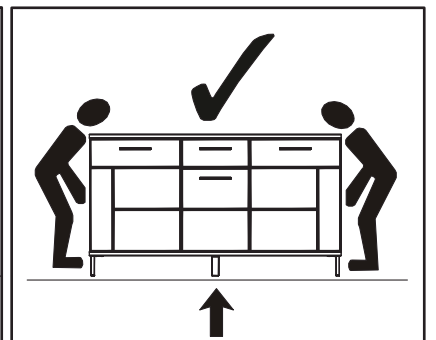
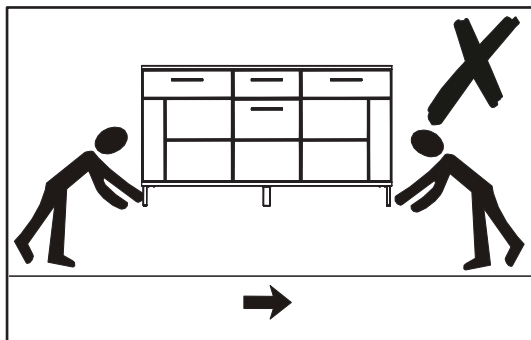
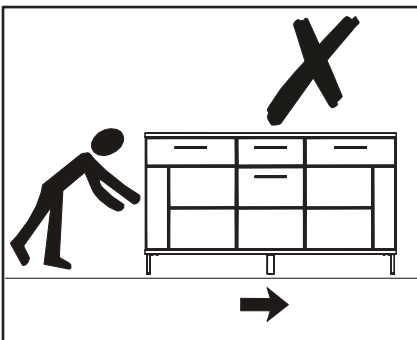
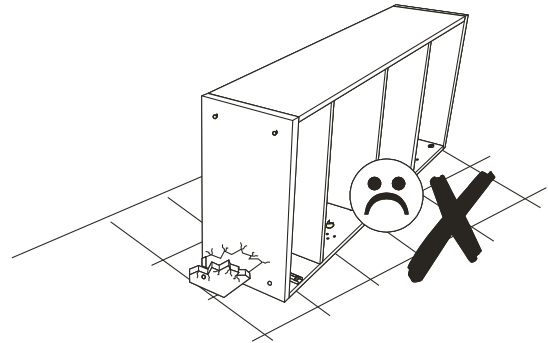
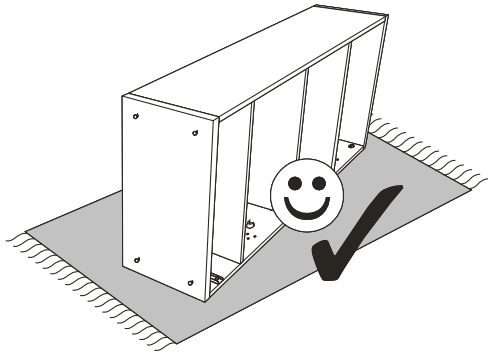
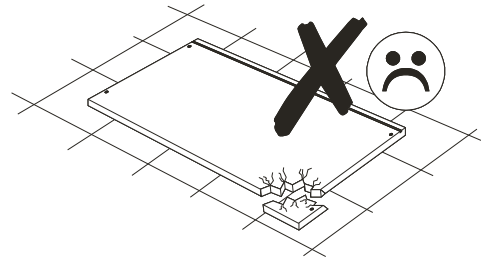
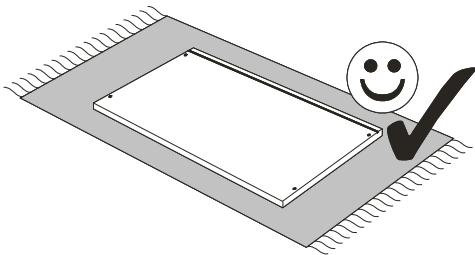
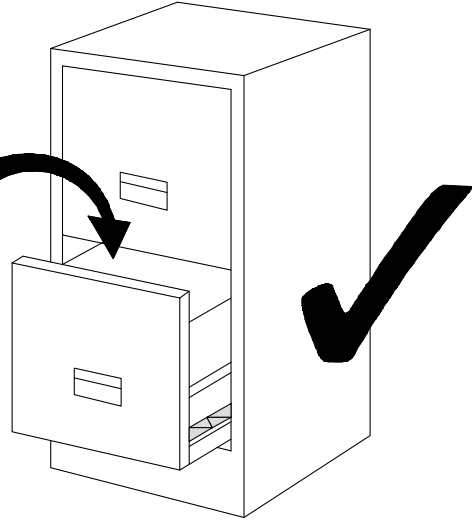
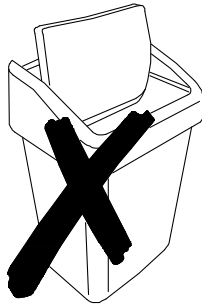
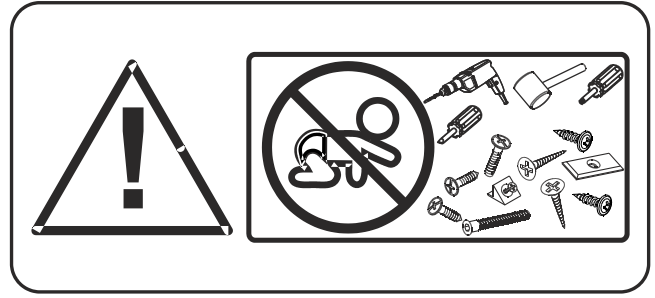
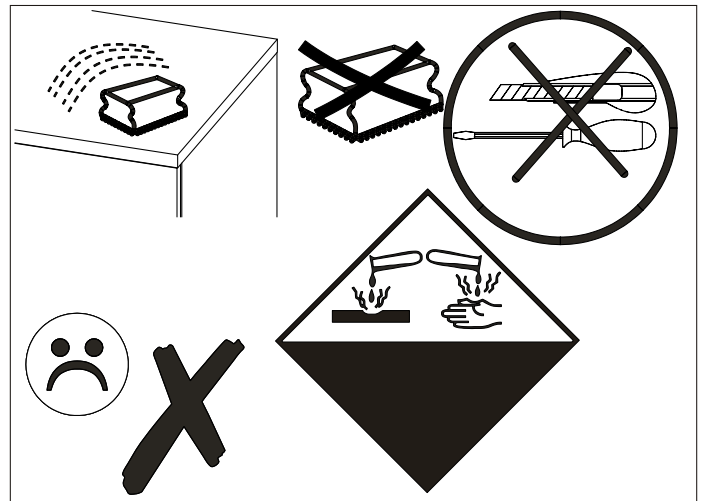
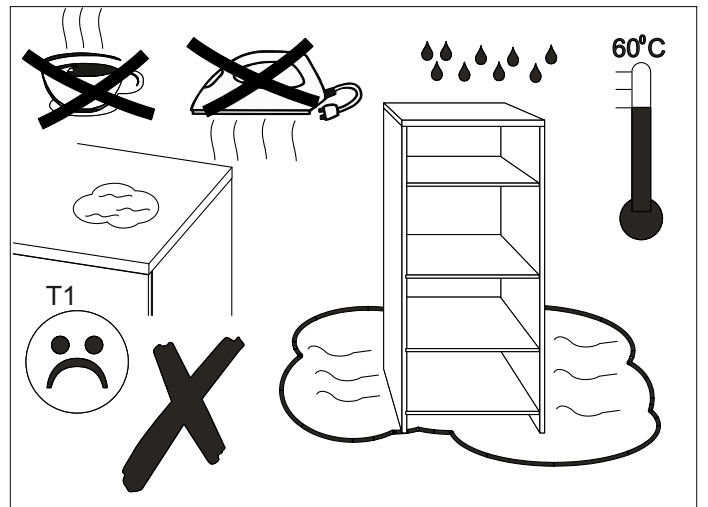
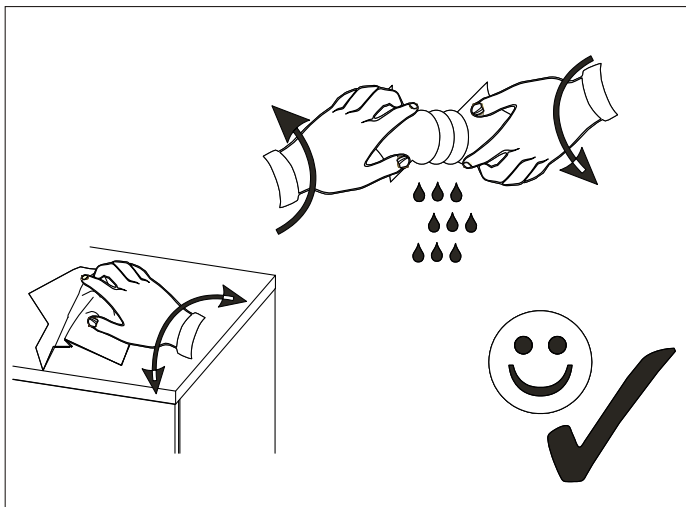
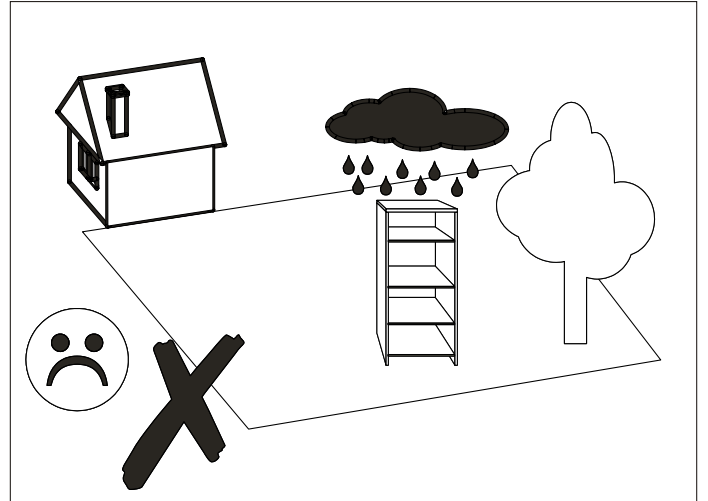
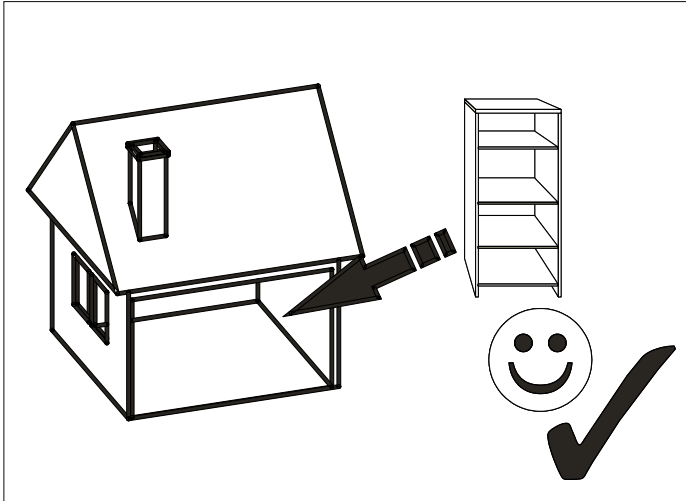


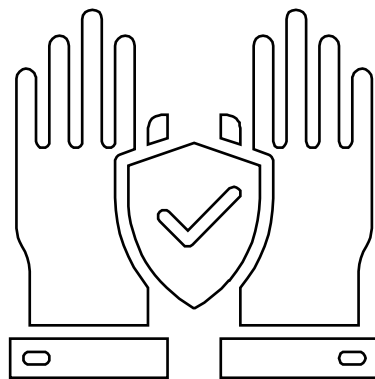
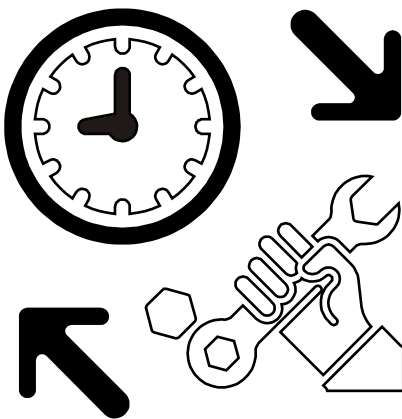
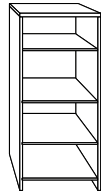
4x ZC45	13x 3.5x13 W3	4x B1	2x ZC8	1x N2	1x H2				
20x #20/863 ZN1	4x 3x16 W6	7x ST1	2x #350L PK3	2x #350P PK3	7x 3x20 W9	4x N1	10x M4x24 S4		
8x 6.4x50 K5	28x 8x30 K1	5x U1	1x K20	37x #15/15 M1	37x DU232T T1	20x 4.5x16 W7	18x 2x20 G1	8x 6x12 E1	



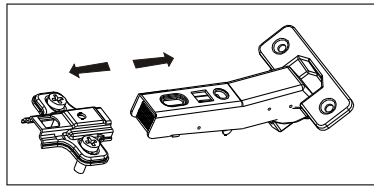
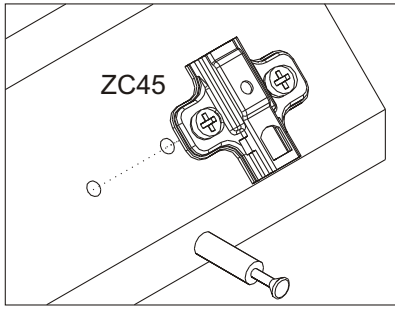
9	540x192	3/5			
8	388x382	3/5			
7	1797x76	1/5			
6	396x359	2/5	15	396x90.5	2/5
5	396x359	2/5	14	1808x407	1/5
4	396x335.5	2/5	13	355x502	1/5
3	396x335.5	2/5	12	487x124	1/5
2	1830x400	1/5	11	350x136	1/5
1	1830x400	1/5	10	350x136	1/5



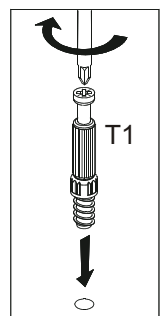
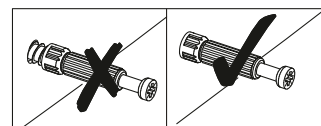
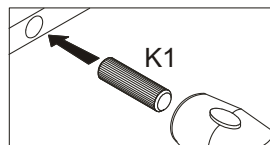
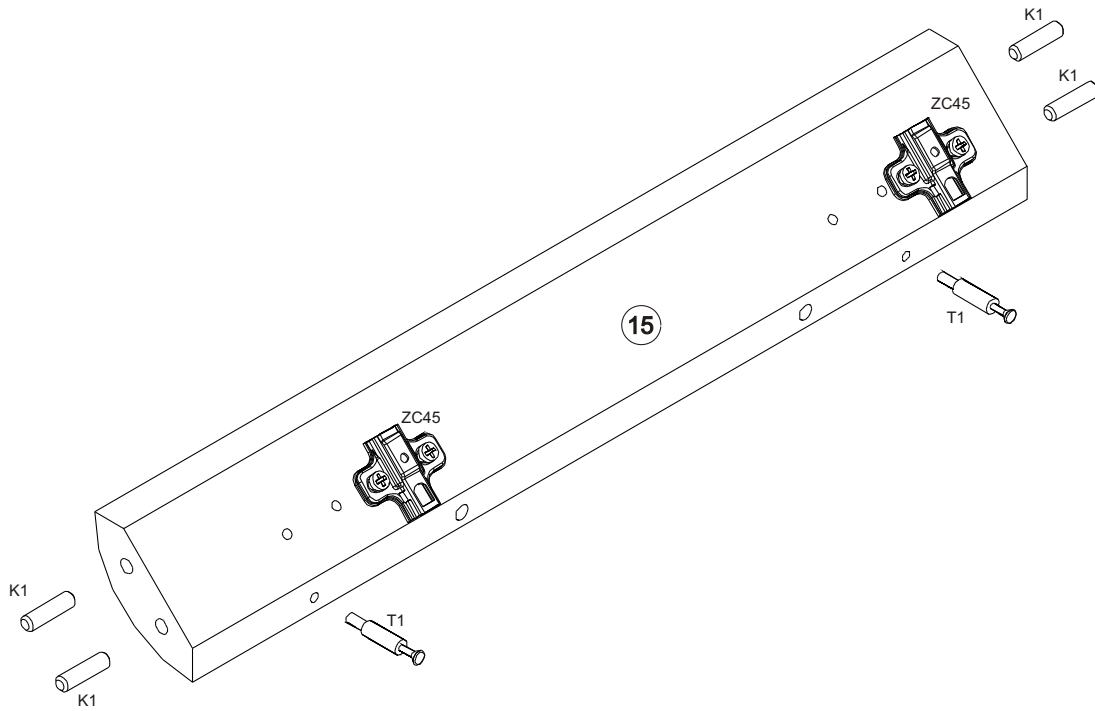




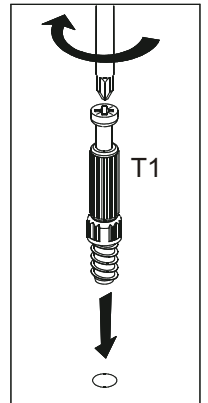
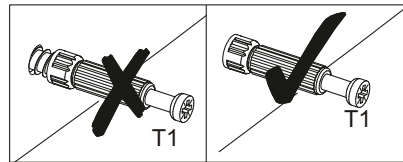
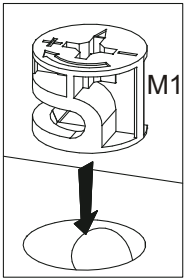
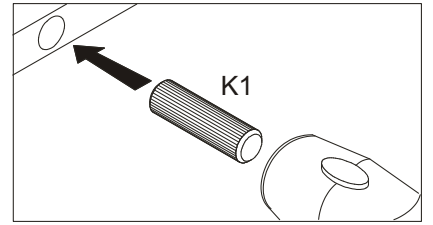
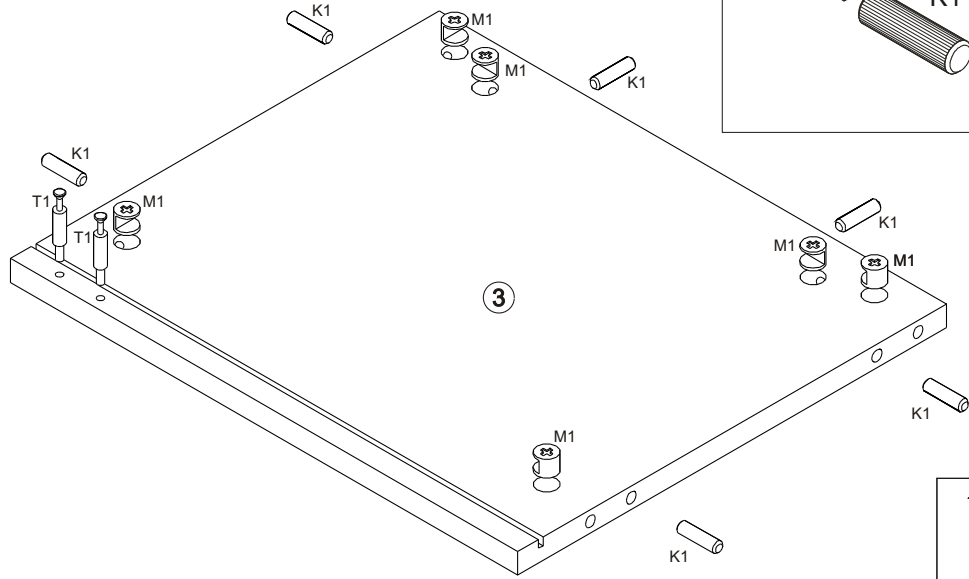
1 ▶



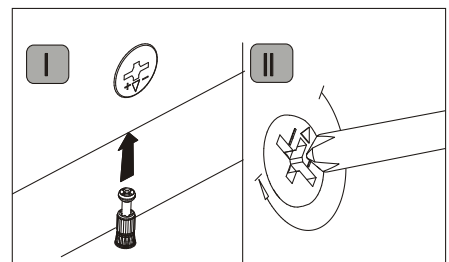
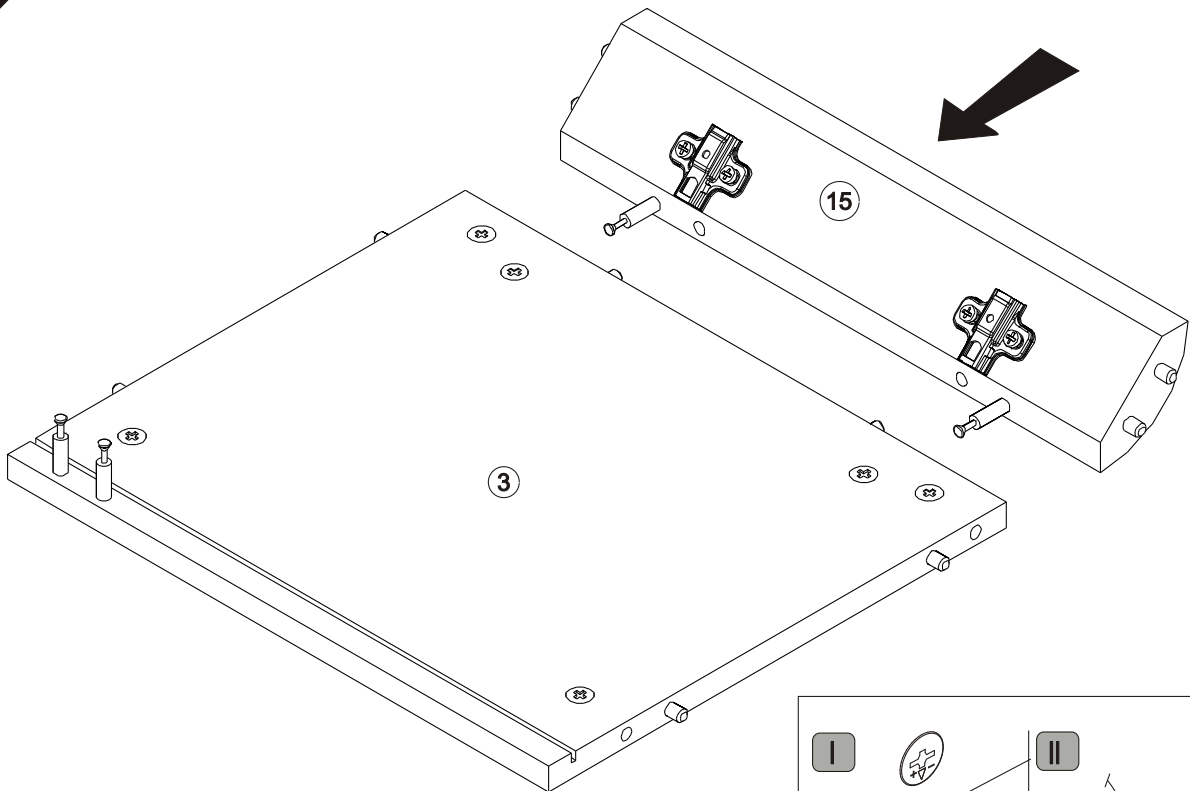
x2



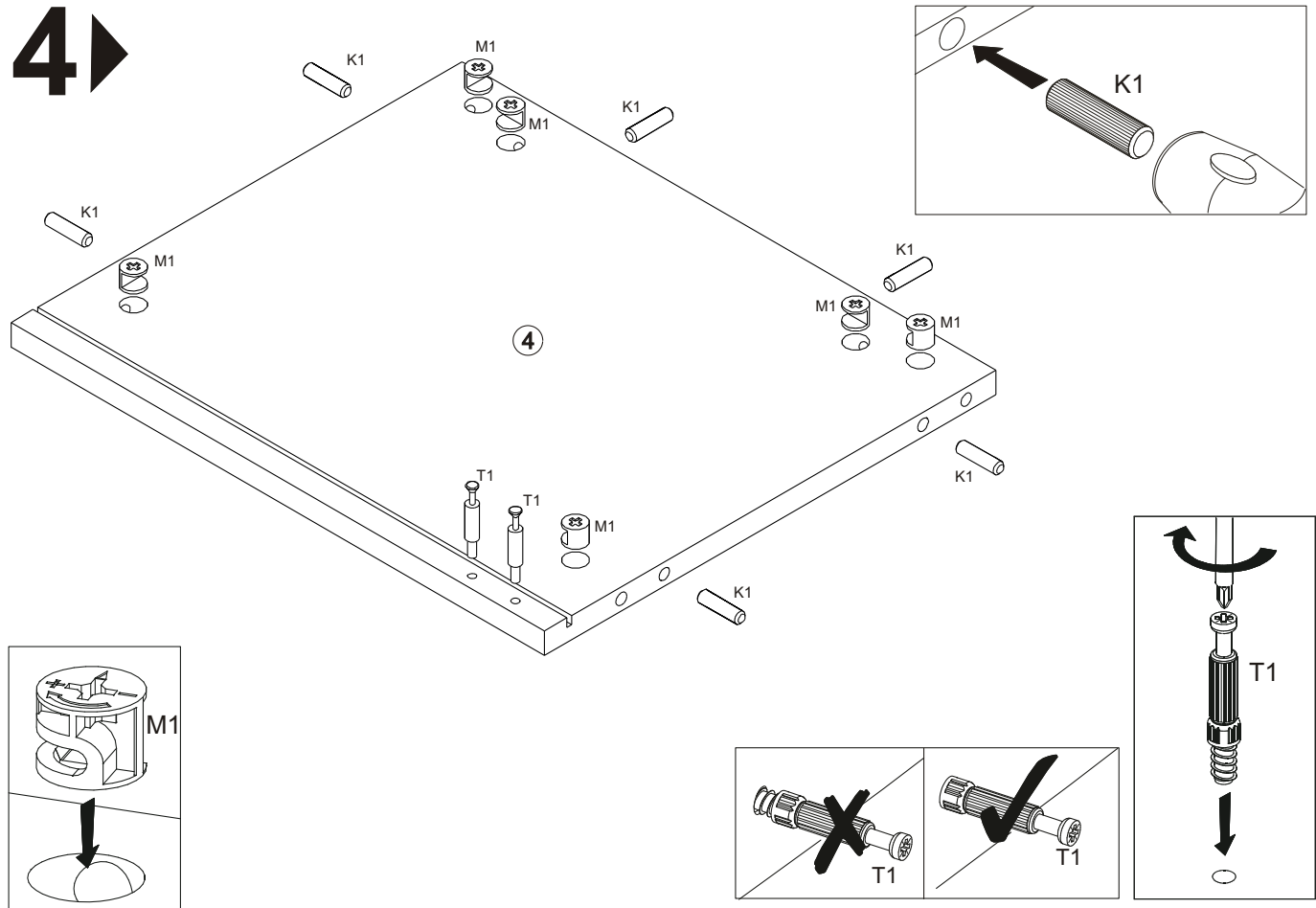
2 ▶



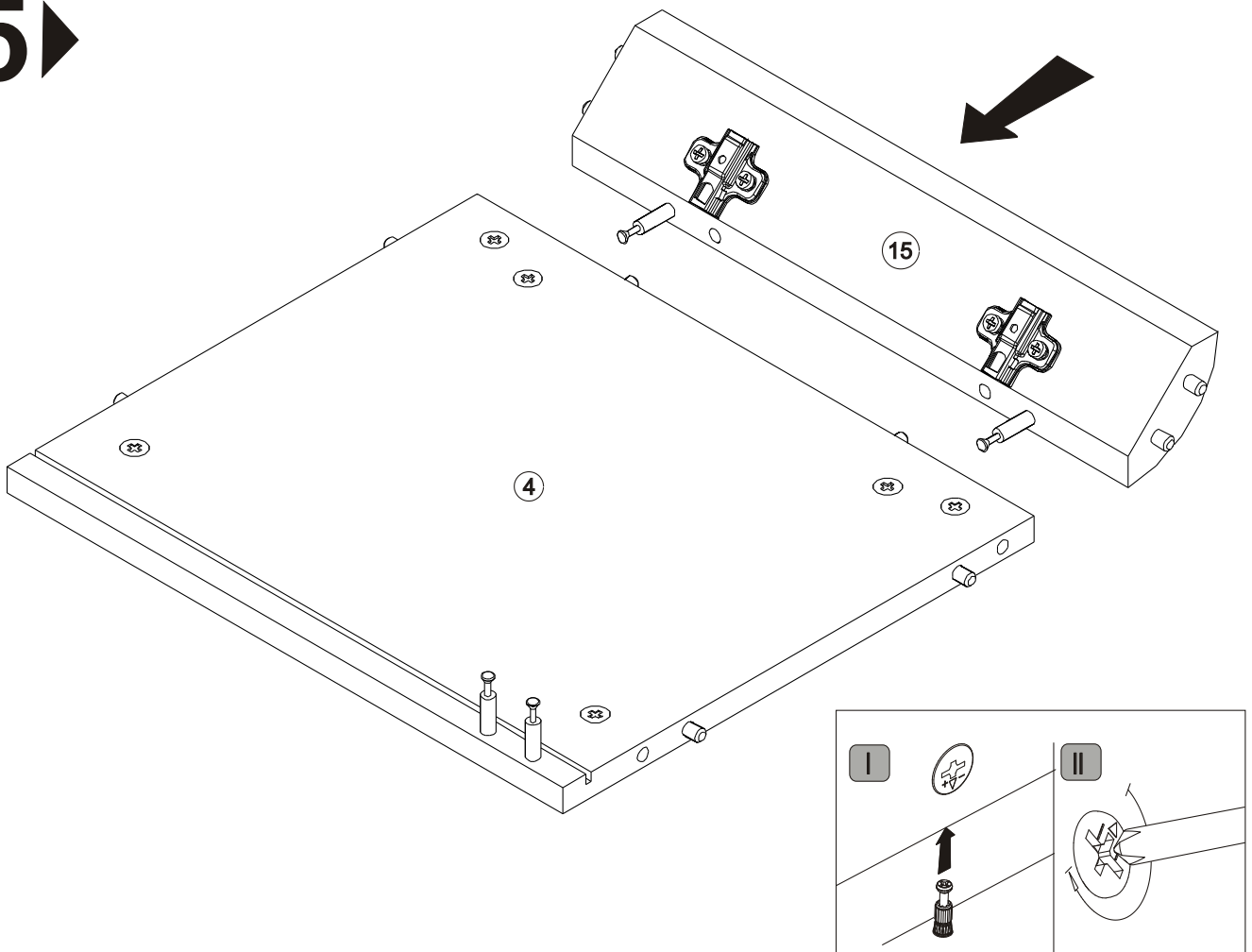
3 ▶



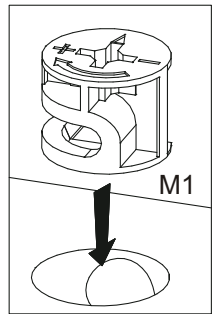
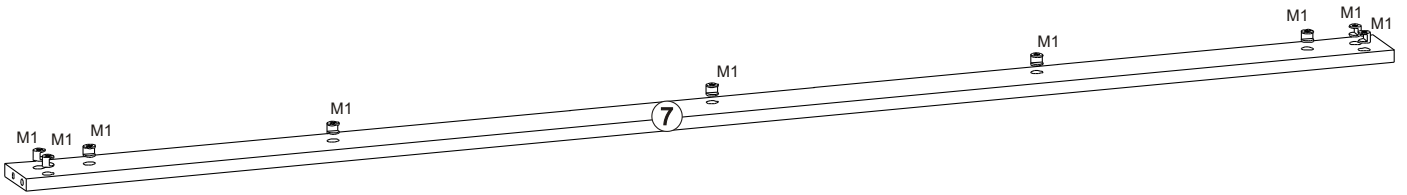
4



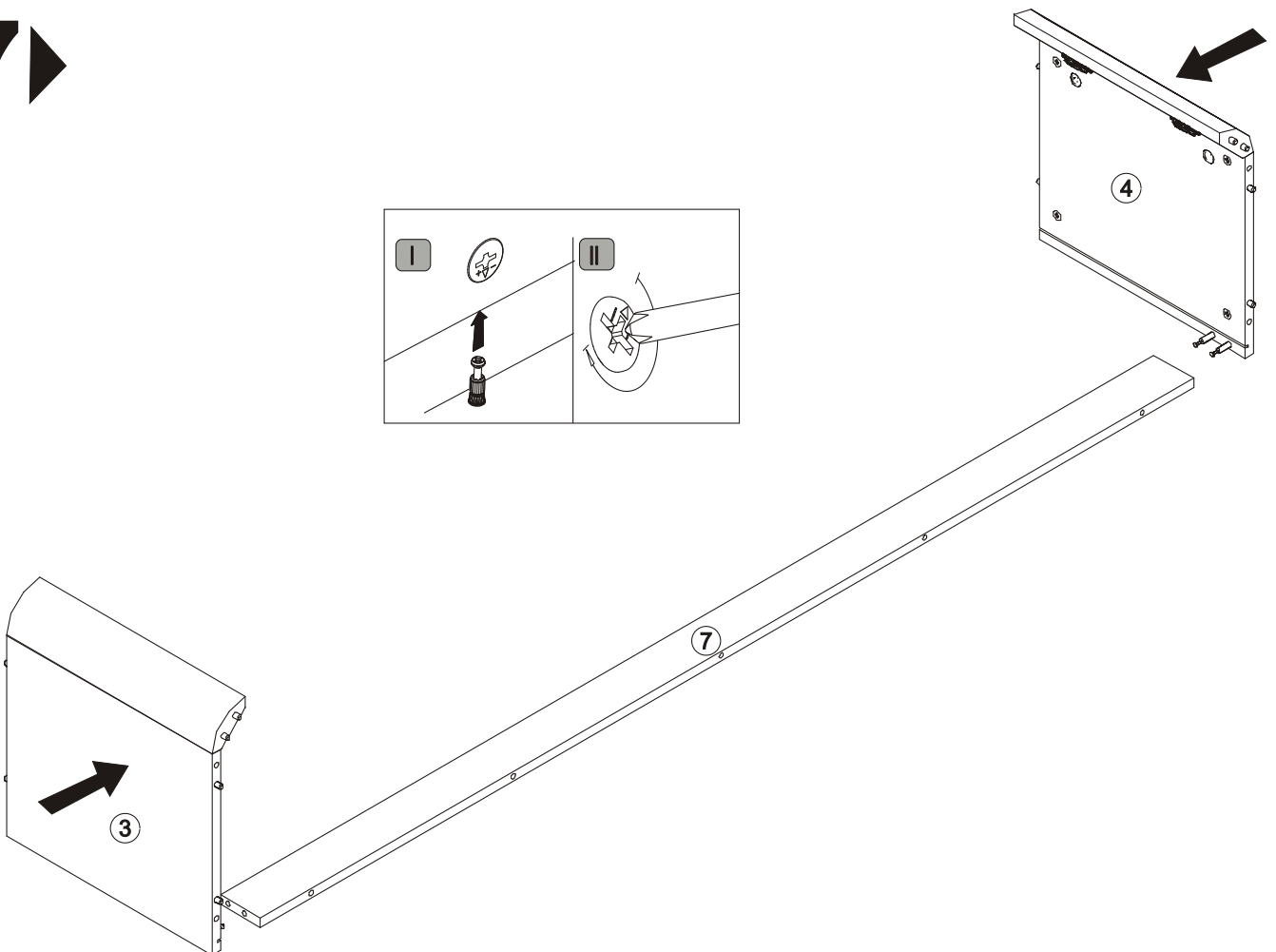
5



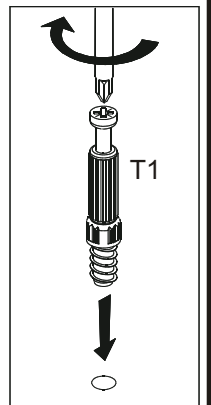
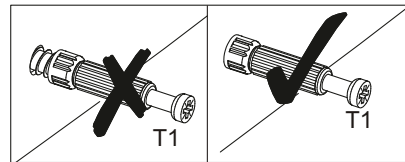
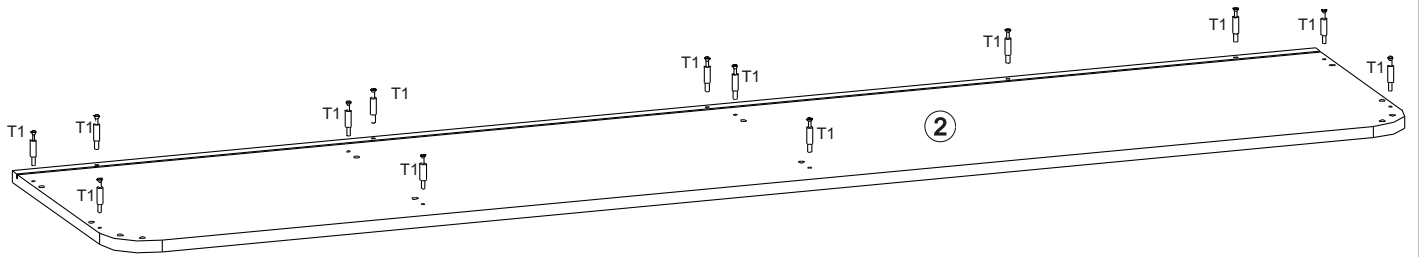
6 ▶



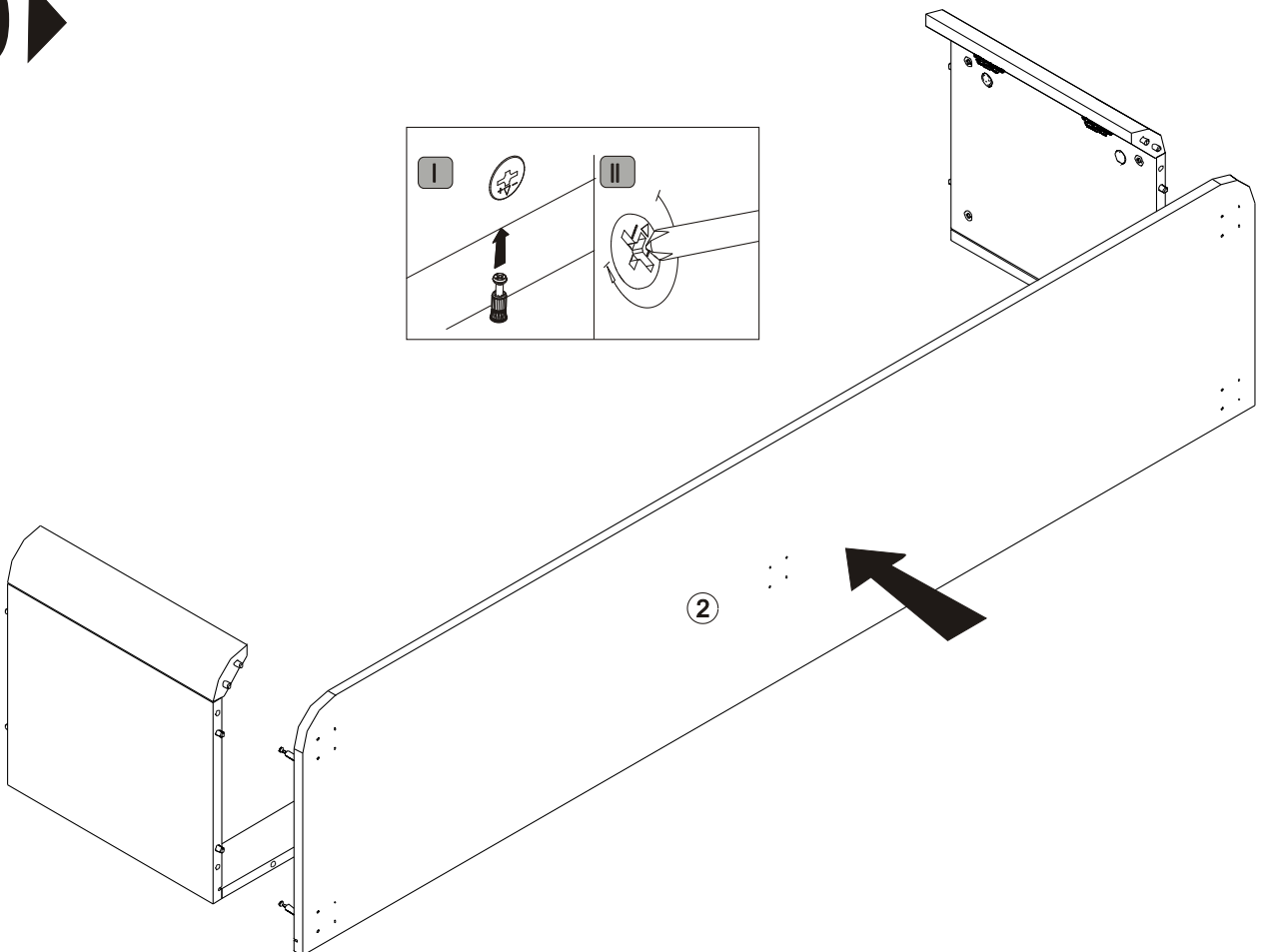
7 ▶



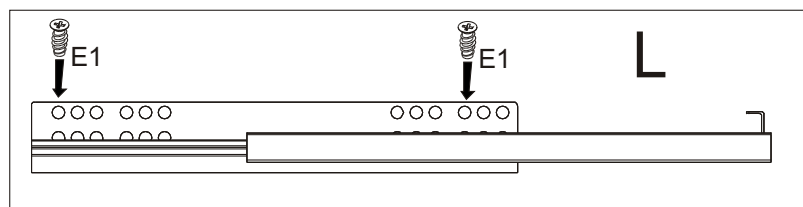
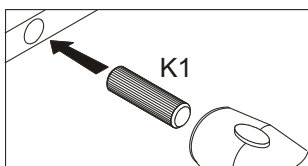
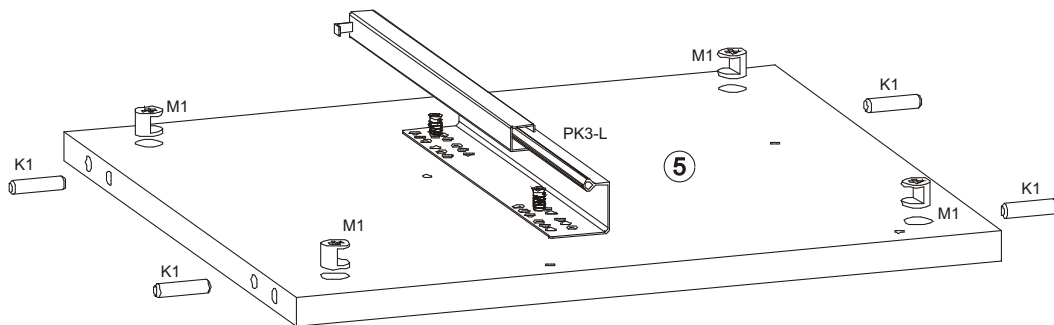
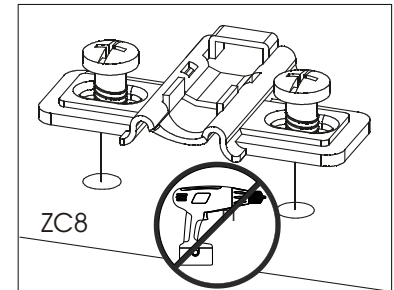
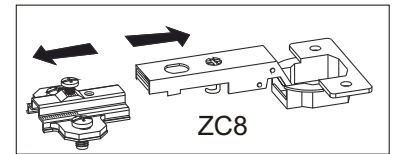
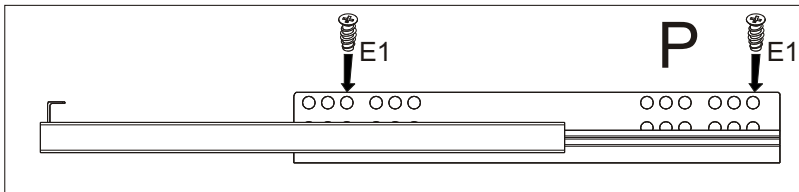
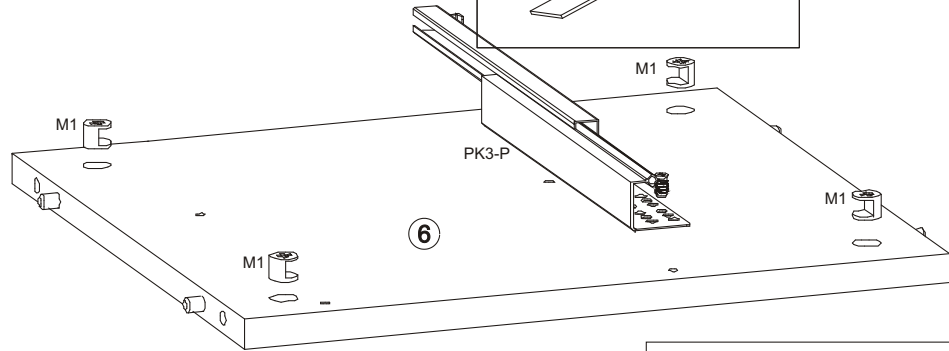
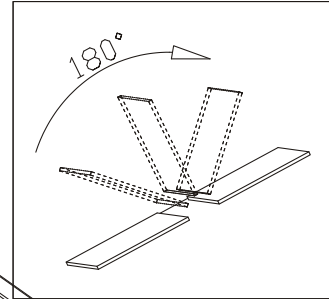
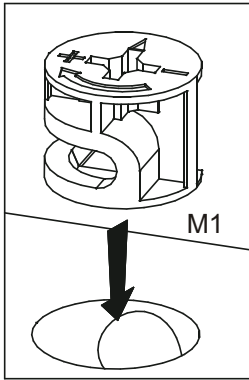
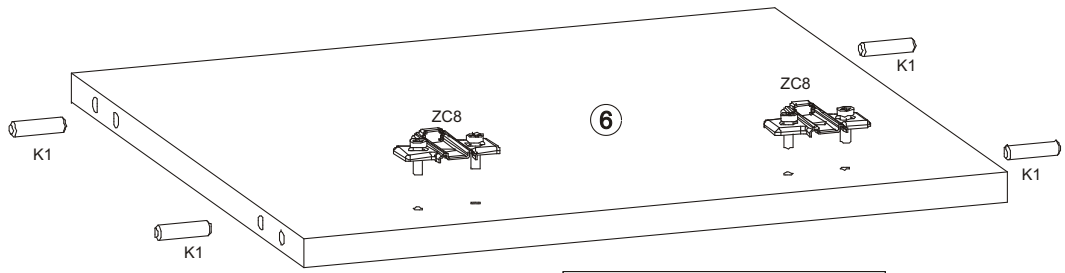
8 ▶



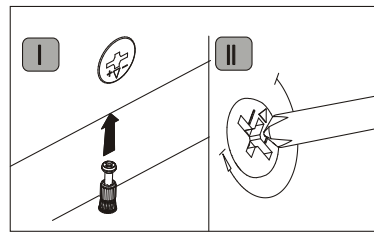
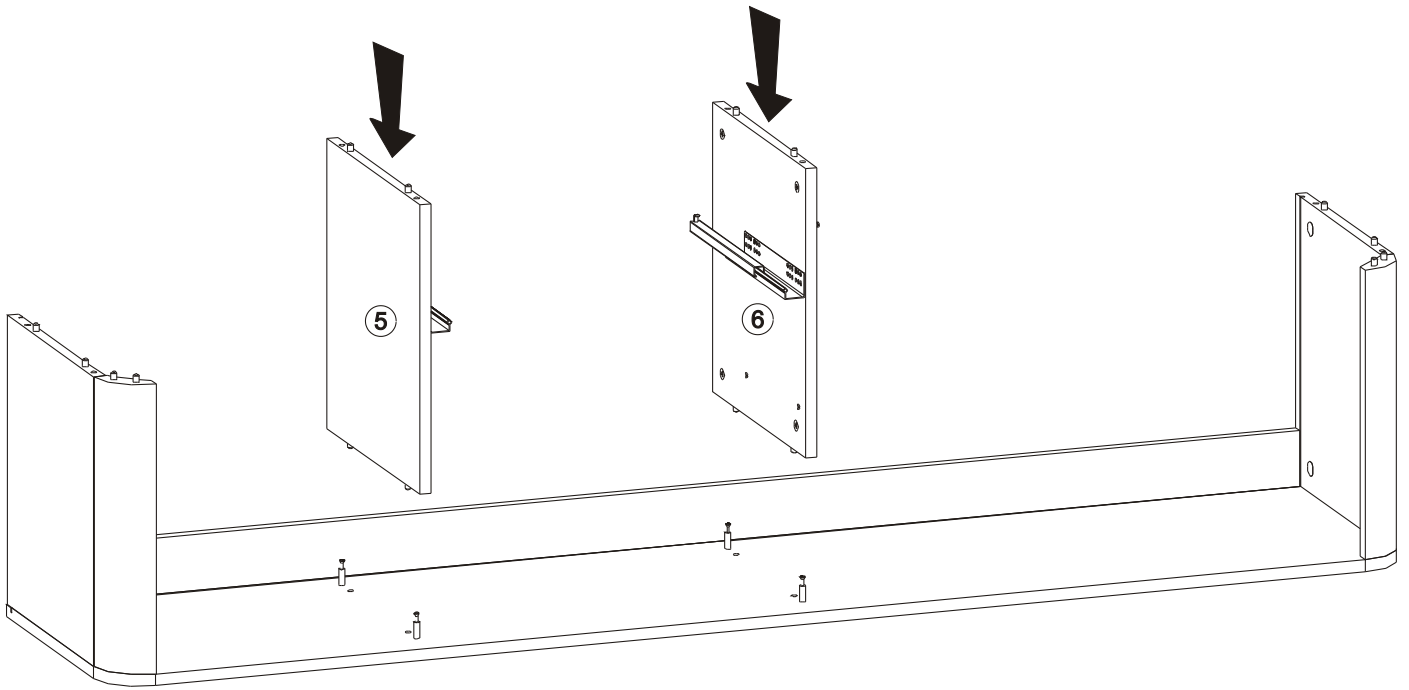
9 ▶



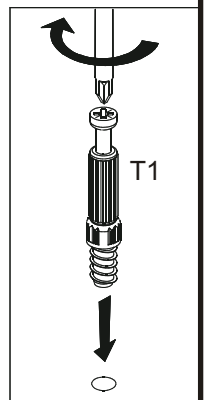
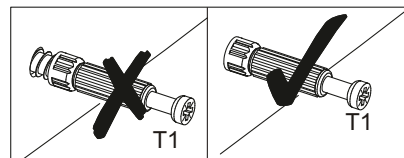
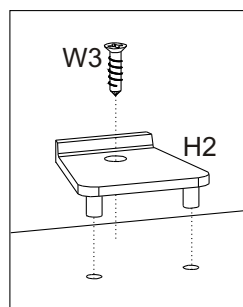
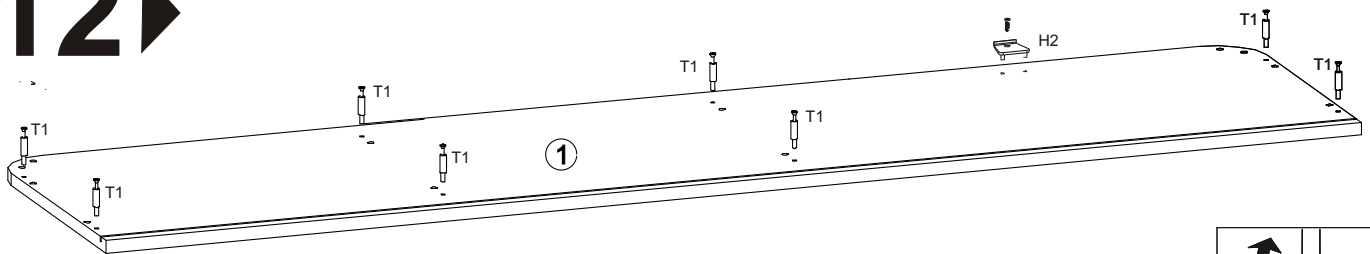
10 ▶



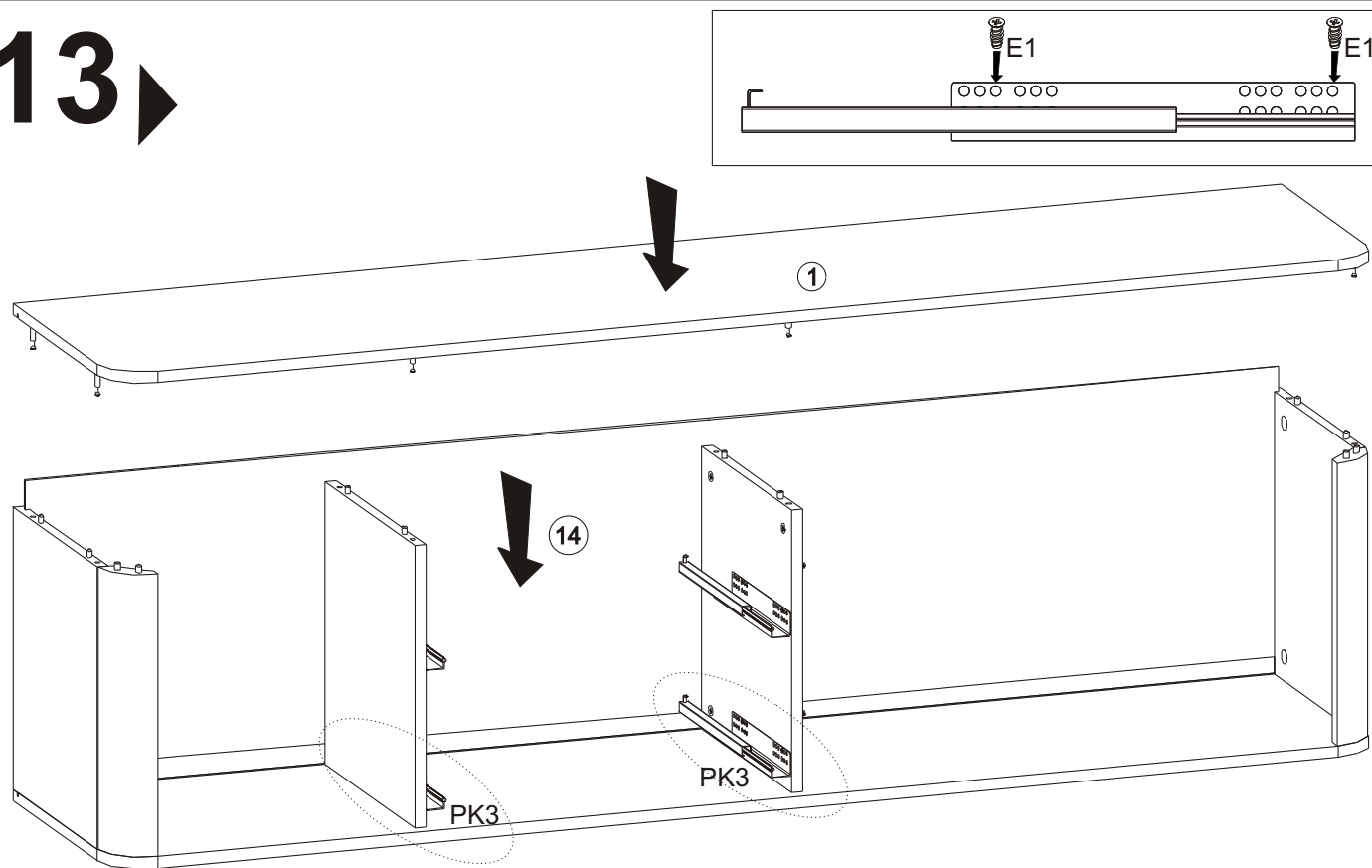
11▶



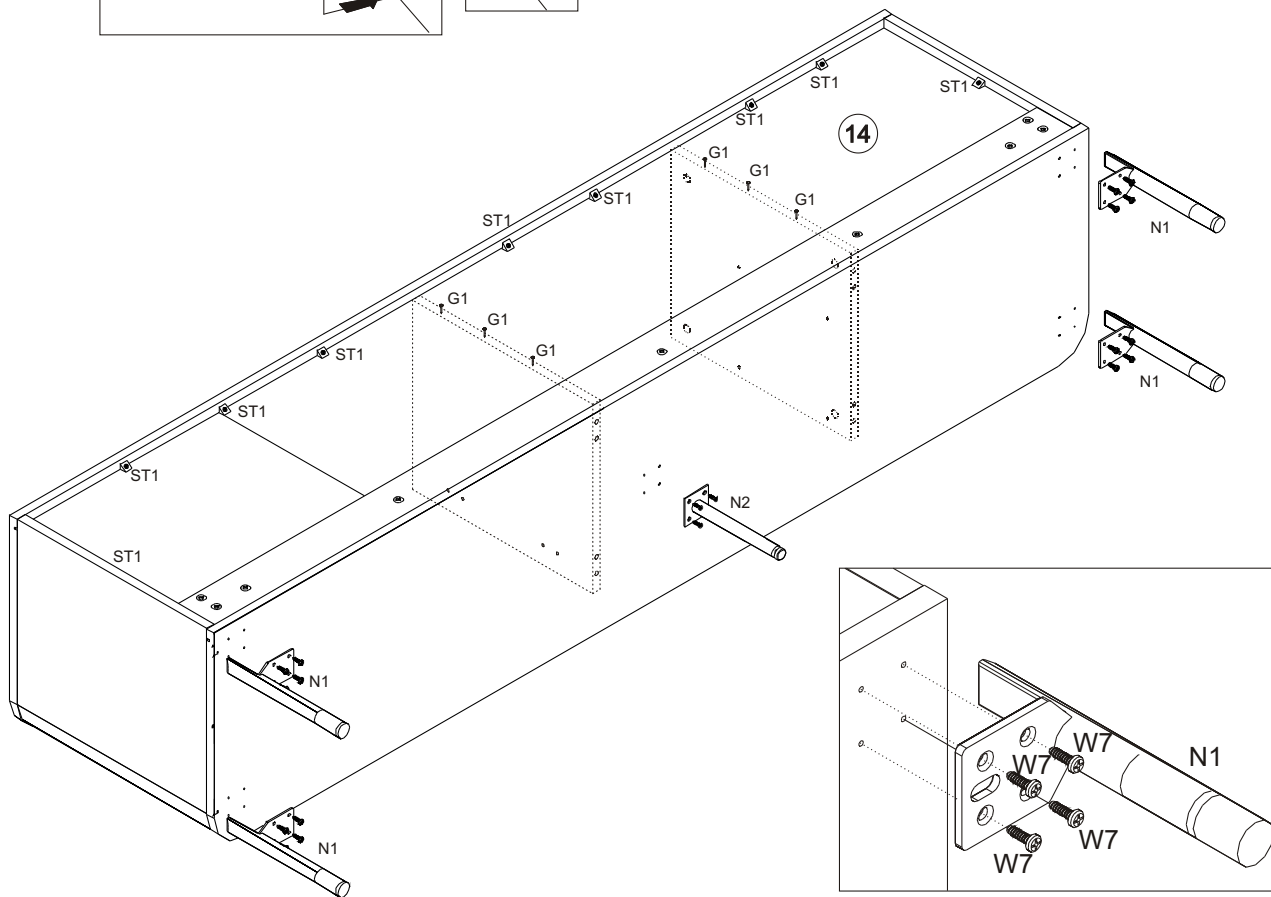
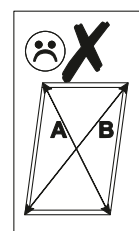
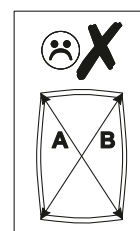
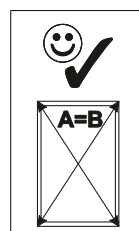
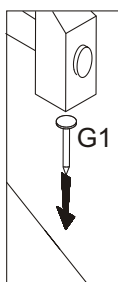
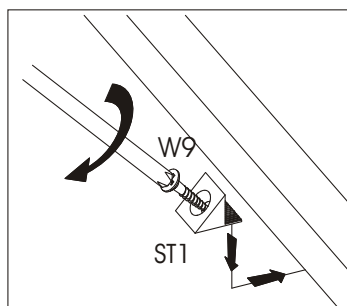
12▶



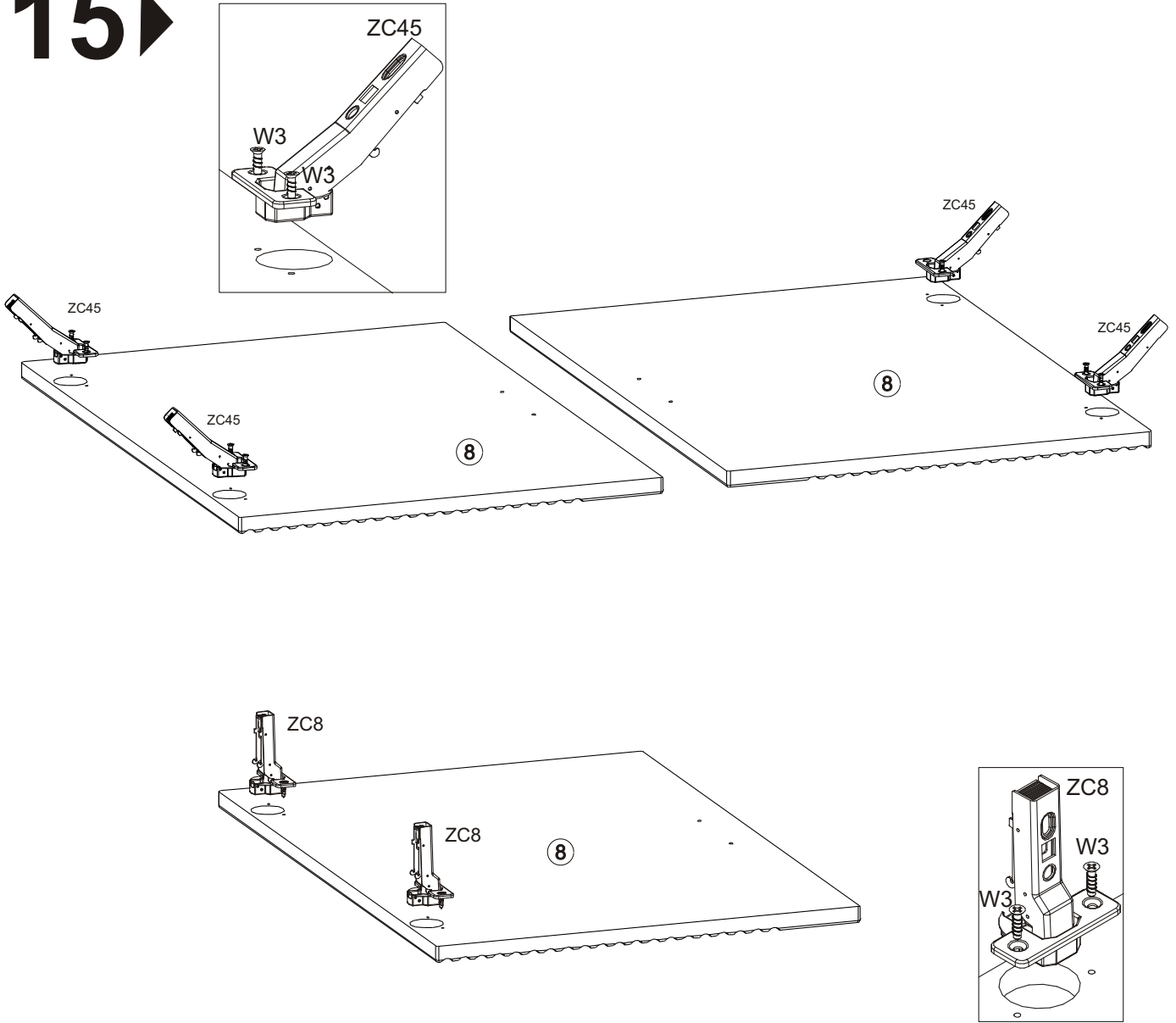
13



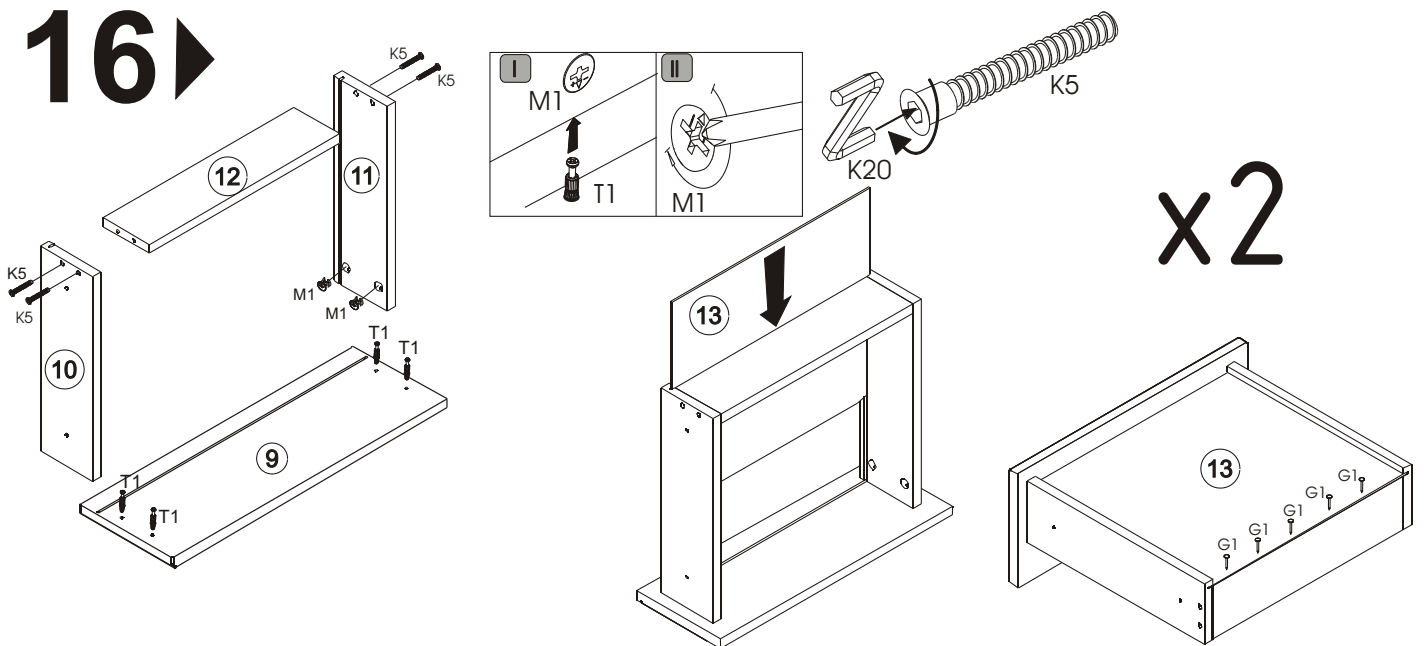
14



15 ▶



16 ▶



17▶

